

**ELECTRIC
GRIDDLE PLATES**

**INSTRUCTION FOR INSTALLATION AND USE
DIE GEBRAUCHS UND INSTALLATIONSANWEISUNG
NOTICE D'INSTALLATION ET D'EMPLOI
INSTRUCTIE VOOR INSTALLATIE EN GEBRUIK
NÁVOD K OBSLUZE A INSTALACI
INSTRUKCJE MONTAŻU I OBSŁUGI
BRUGS- OG MONTERINGSVEJLEDNING**



KDA 33 ED, KDA 63 ED, KDA 66 ED





CONTENT

Declaration of a standards conformity	6
Instruction for use	10
Cleaning and maintenance	12

INHALT



Die Normenübereinstimmungsdeklaration	13
Gebrauchsanweisung	17
Die Reinigung und Instandhaltung	19

CONTENU



Déclaration de conformité	20
Mode d'emploi	24
Nettoyage et entretien	26

INHOUD



De verklaring van overeenstemming met de normen	27
Gebruiksaanwijzing	33
Reiniging en onderhoud	35

OBSAH



Prohlášení o souladu s normami	44
Návod k použití	48
Čistění a údržba	50

TREŚĆ



Oświadczenie o zgodności z normami	51
Instrukcja obsługi	54
Czyszczenie i konserwacja	55

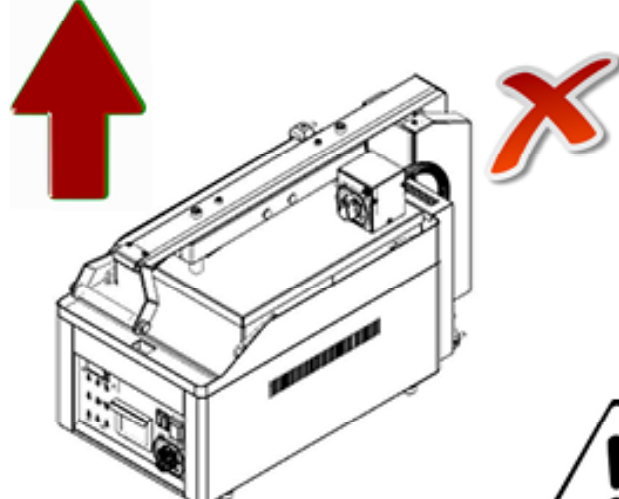
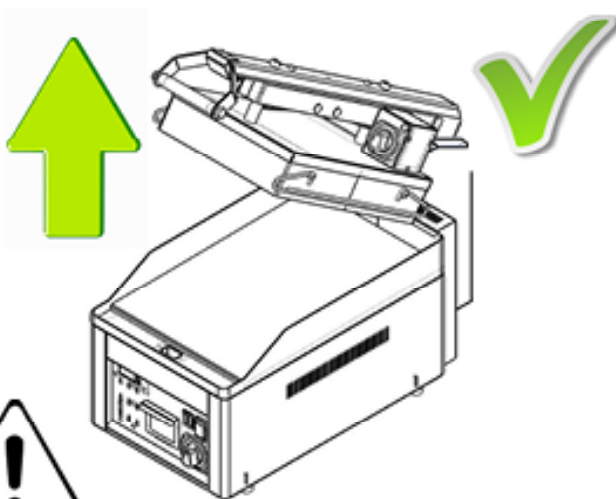
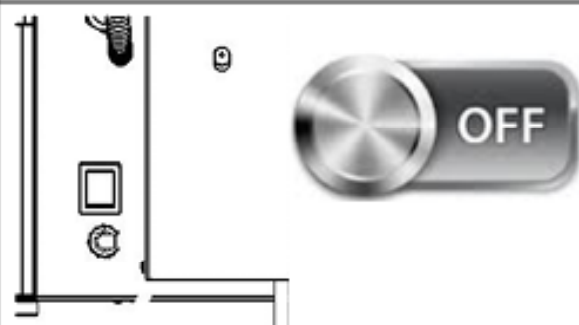
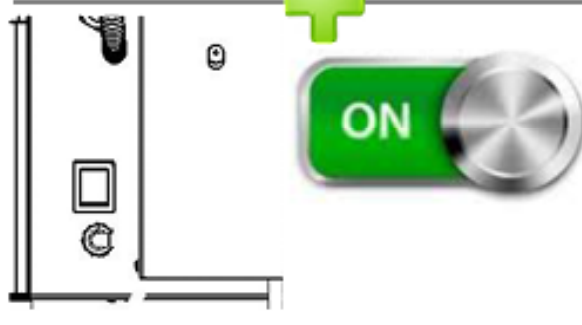
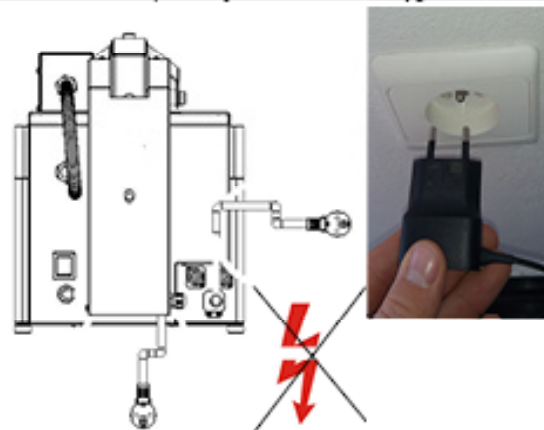
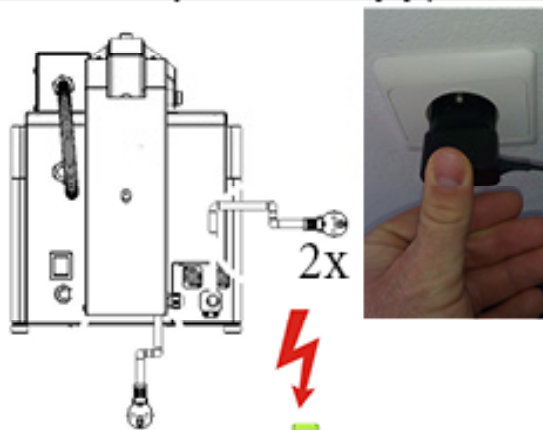
BRUGERVEJLEDNING



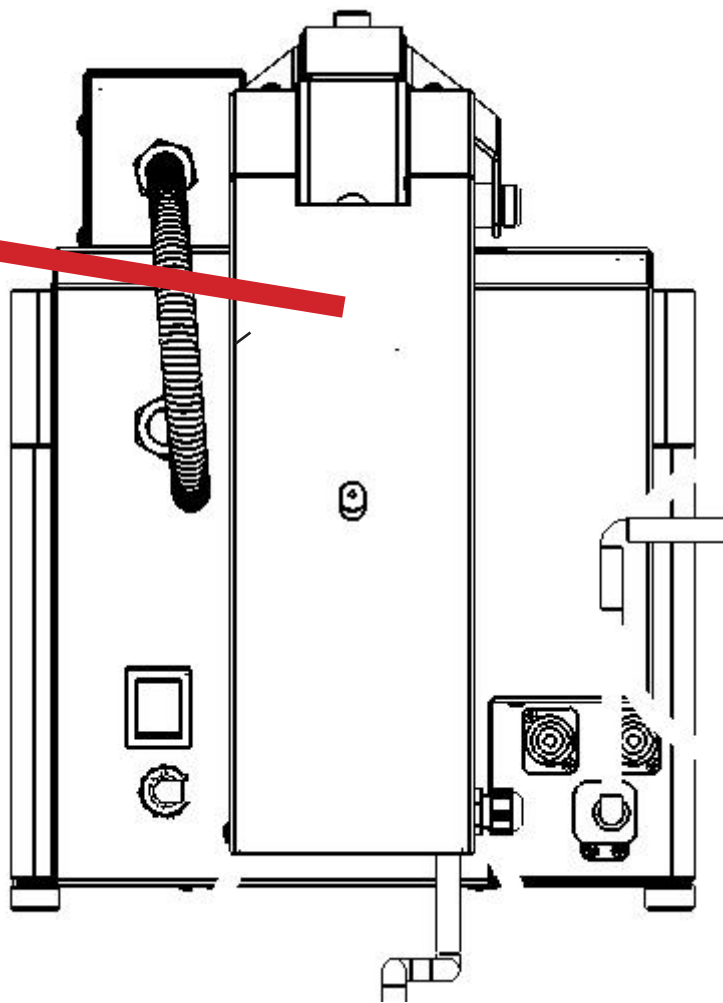
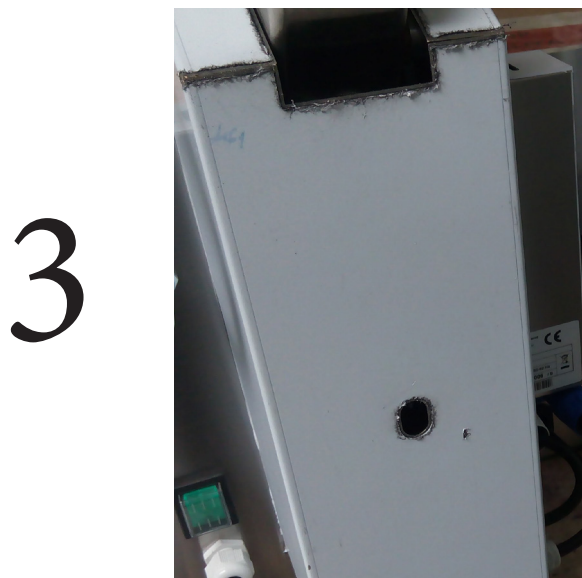
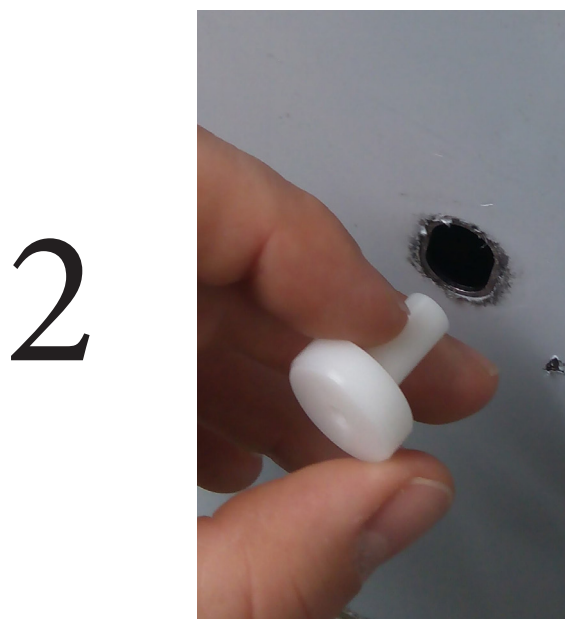
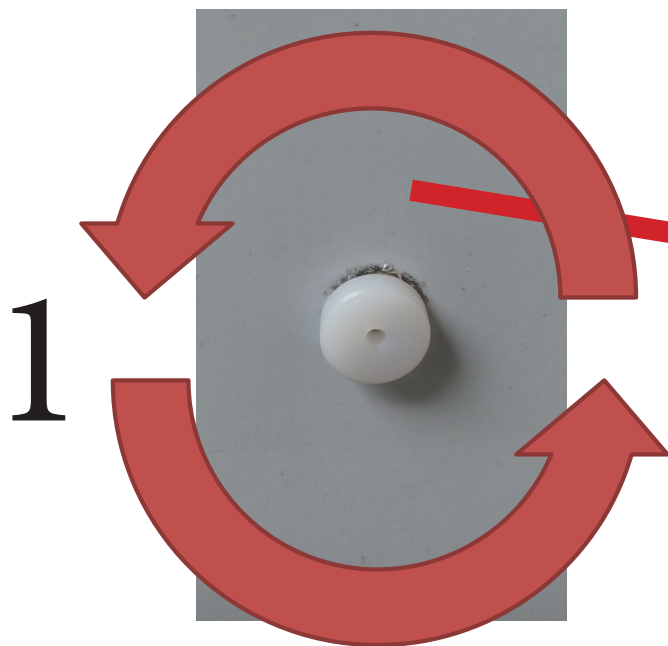
Erklæring om standard kompatibilitet	64
Brugsvejledning	67
Rensning og vedligeholdelse	69





- **Do not lift the contact plate** if the device is not connected to the electric mains and both main device switches are not simultaneously switched on.
- Die Kontaktplatte nicht heben, wenn die Anlage nicht zum Netz angeschlossen ist und gleichzeitig beide Hauptschalter nicht eingeschaltet sind.
- Ne pas soulever la plaque supérieure (extention) avant que l'appareil ne soit connecté au réseau d'électricité et que les deux interrupteurs principaux d'alimentation soient allumés.
- Не поднимайте контактную панель, если устройство подключено к электросети и наряду с этим не включены оба его главных выключателя.
- Nemojte dizati kontaktnu ploču ukoliko uređaj nije priključen na električnu mrežu, te također ako nisu uključena oba glavna prekidača uređaja
- Non sollevare la piastra di contatto se l'impianto non è collegato alla rete elettrica, mentre entrambi gli interruttori principali dell'impianto non sono accessi
- Ne emelje fel a kontakt lemezt, míg a berendezés nincs a villamos hálózatra kötve és egyidejűleg nincs bekapcsolva a berendezés mindkét főkapcsolója.
- Płyty nie wolno podnosić, jeżeli urządzenie jest podłączone do instalacji elektrycznej i jednocześnie nie są włączone oba wyłączniki główne
- A nu se ridică placa de contact atâta timp cât instalația nu este conectată la rețeaua electrică și dacă nu sunt concomitent activate ambele întrerupătoare ale instalației.
- Kontaktpladen må ikke løftes såfremt der ikke er anlagt tilsluttet elektrisk net og samtidig når begge anlægs hovedafbrydere er ikke aktiveret.
- Nezvedat kontaktní desku pokud není zařízení připojeno k elektrické síti a zároveň nejsou zapnuté oba hlavní vypínače zařízení



Toto je pouze aretovací přepravní kolík. Před použitím ho prosím vyjměte dle tohoto návodu a následně již nepoužívejte.



CONTENT

	DECLARATION OF A STANDARDS CONFORMITY	5
	INSTRUCTION FOR USE	9
	CLEANING AND MAINTENANCE	11
	DIE NORMENÜBEREINSTIMMUNGSDEKLARATION	12
	GEBRAUCHSANWEISUNG:	16
	DIE REINIGUNG UND INSTANDSHALTUNG	18
	DÉCLARATION DE CONFORMITÉ	19
	MODE D'EMPLOI	23
	NETTOYAGE ET ENTRETIEN	25
	DE VERKLARING VAN OVEREENSTEMMING	26
	GEBRUIKSAANWIJZING	32
	REINIGING EN ONDERHOUD	34

DECLARATION OF A STANDARDS CONFORMITY

The producer confirms that the devices agree with 2014/30/EU, 2014/35/EU standards, rule nr. 117/2016 sb., 118/2016 sb. and with relevant government orders. Instalation must be done with respect to valid standards. Attention, the producer refuses any responsibility in case of direct or indirect damages which are caused due to wrong instalation, incorrect intervention or modification, insufficient maintenance, incorrect use and also possibly caused by other reasons presented by items in sale conditions. This appliance is set only for skilled use and must be operated by qualified persons only. Parts set and secured by the producer or accredited person must not be rebuilt by user.

TECHNICAL DATA

Label with technical data is placed on the back side of the device. Study the electrical diagram of connection and all following information before instalation.

MODEL	VOLTAGE (V)	WATTAGE (KW)	TOP DIMENSIONS (CM)	DIMENSIONS (CM)
KDA-33 ED	2x 230	3+3	48x32+40x28	33x70,8x44,2
KDA-63 ED	3x 230	6+3	48x65+40x28	66x70,8x44,2
KDA-66 ED	4x 230	6+3+3	48x65+2x40x28	66x70,8x44,2

PACKING AND DEVICE CHECK

The device leaves our stocks properly packed with appropriate symbols and labels. There are also appropriate instructions for use. In case the packing shows bad handling or damage, it must be reclaimed at transporter immediately by writing and signing of a damage protocol.

Important notice:

-This product is only intended for use inside.

Never use the appliance if it has a damaged supply cable or plug, if it is not working correctly, has fallen to the ground and been damaged or fallen into water. In such cases take the appliance to a professional service in order to verify that it is safe and works correctly.

- only for professional use
- this instructing guide must be read properly and carefully because it contains important information about safety elements, installation, use
- these recommendations refer to this product
- this product corresponds with valid standards
- this guide must be properly deposited for future use
- keep the children away from manipulation with the product
- when selling or moving the product to another place it is necessary to make yourself sure that the staff or the professional service has got acquainted with control and installation instructions from enclosed guide
- only authorised person can operate the product
- it can not be switched on without supervision
- we recommend to have the product checked by professional service min. once a year
- only original spare parts can be used for repairs
- the product can not be cleaned by the water jet or pressure shower
- by damage or break down disconnect all the feeders (water, gas, electricity) and call professional service
- producer refuses any responsibility in case of damages caused by wrong installation, by disobeying of above mentioned recommendations or by other use etc.

PLACEMENT

The device must be installed in well ventilated room what is necessary for regulation of the function of the device (technician must go by valid standard (EN....)). If the device is situated close to the wall or if it is in contact with the furniture walls, these walls must resist the temperatures ranging to 90°C. Installation, setting, putting into operation must be done by qualified person who is competent for this and according to the valid standards.

Wrap up the device and check whether it was not damaged during transport. Settle the device on horizontal surface (max imbalance 2°). Settle the device under the fumehood to eliminate water steam and bad smell. The device can be installed separately or in a set with devices of our production. Min. distance 10 cm from other subjects must be kept. It is also necessary to prevent our product from contact with combustible materials. In this case you must make corresponding changes to secure heat isolation of combustible parts. Safety measures from the standpoint of the fire protection according to EN 061008čl. 21:

SAFETY MEASURES FROM THE STANDPOINT OF THE FIRE PROTECTION ACCORDING TO EN 061008 ČL. 21

- only adults can operate the device
- device must be safely used in common surroundings according to EN 332000-4-462; EN 332000-4-42. You must switch the gas device off under the circumstances leading: to the danger of the temporary rise of the combustion gas or steam or during works when there is a big possibility of rise of the temporary fire danger or explosion (for example: to stick linoleum, PVC etc.).
- before you start to instal the device you must get the licence for connection to the gas feeder from the gasworks
- device must be placed so as to stand or hang on the noncombustible surface which is on each side 10 cm larger than the device. No subjects from combustible materials can be placed directly on the device or in distance which is shorter than safety distance (the shortest distance is 50 cm in the direction of the heat emission and 10 cm in other directions).- safety distances from various materials of different degree of combustion and information about the degree of comb. of common building materials - see chart:

Chart:

Combustion degree of building materials classified according to the combustion degree of materials and products (EN 730823)

A noncombustible	granit, sandstone, concretes,bricks, ceramic wallfacing tiles, plaster
B uneasily combustible	akumine, heraklite, lihnos, itavere
C1 hardly combustible	leafy wood, plywood, sirkoklit, rare paper formica
C2 middle combustible	fibreboards, solodure, cork boards, rubber,floor-coverings
C3 easily combustible	wood-fibreboards, polystyrene,polyurethane, PVC

Devices must be instalated in a safe way. When instaling you must respect corresponding project, safety and hygienic orders according to:

- EN 061008 fire protection of local devices and sources of heat
- EN 332000 (33 2000-4-482; 33 2000-4-42) surrounding for electric devices ČSN EN 1775 Gas supplying
- Gas fittings in the buildings - the highest operational pressure < 5 bar - operation demands
- § 10 law nr. 185/2001 Sb. about waste

CONNECTION OF THE ELECTRIC CABLE TO THE ELECTRICITY

Instalation of electric feeder - This feeder must be separetely protected by a safety fuse according to the specific electric stream which depends on the wattage of the instaled device. Check the wattage on the label at the back of the device. Connect the device directly to the electricity but you must put the switch between the device and electric net. The switch must be placed in min. distance 3 mm between the particular contacts according to the standards and loading. The feeder of grounding (yellow-green) cannot be interrupted by this switch. In every case feeding cable must be placed so that no point of the cable will reach the temperature which is 50°C higher than the temperature of the surrounding. Before connecting the device check that:

- safety fuse of the feeder and inner mains can stand the loading of the device (see label of the matrix)
- mains are equipped with effective grounding according to standards (ČSN) and conditions given by law
- socket or switch of the feed is well accessible from device

We refuse any responsibility in case of not respecting above mentioned rules. Before the first use it is necessary to remove all the protection foil and to clean the device - see chapter „cleaning and maintenance“.

Maintenance: We recommend to have the device checked once a year by the proffesional service. Only qualified or competent persons can do interventions in the product.

TECHNICAL INSTRUCTIONS FOR INSTALATION AND REGULATION

Important:

The manufacturer does not provide warranty for defects caused by improper use, failure to instructions contained in the attached instructions for use and mistreatment of the appliances.

Installation, adjustment and repair of appliances for kitchens, as well as their removal because of possible damage to the gas can be carried out only under a maintenance contract, this contract may be signed with an authorized dealer, and must be complied with regulations and technical standards and regulations regarding the installation, power supply, gas connection and health & safety system.

These instructions are intended for the qualified technician who must perform the installation, put it into operation and test the appliance.

Any activity as settings, placement, rebalancing etc, must be made only when is device disconnected from electricity. If it is necessary to have the device connected to the electricity you must keep the highest attention to avoid any injuries.

DEVICE INSTALATION

Instalation, setting, rebuilding for another gas type, putting into operation must be done by qualifi ed person whois competent for this and according to the valid standards. The device can be instalated in good ventilated room. When it is possible place the device under the fumehood to suck off the products of combustion. Air needy to the burning is $2m^3/h/kW$ ot the performance of the instaled device. The device can be instalated separately or in a set with devices of our production. Min. distance 10 cm from other subjects must be kept.It is also necessary to prevent our product from contact with combustible materials. In this case you must make corresponding changes to secure heat izolation of combustible parts (for example:place between the device and combustible material azbestos plate).

INSTRUCTION FOR USE

Unpack the device and check for transport damage. Attach the device to the fry top according to the picture either using the standoffs or standoffs and screws. After this, lift the springs on the classic plate for them to hold it in raised position and at the same time not to lift it spontaneously when the device is lowered.

It is necessary to observe the minimum distance of 10cm from the rest of the items, and prevent contact of the device with combustible materials. In this case, it is necessary to make appropriate modifications to ensure thermal insulation of the combustible parts.

Attention!

Before the first use of the device wash the device with water containing detergent and then dry with the cleaning cloth. Never leave the device on without supervision!!!

Drawer for superfluous fat

You must check the drawer regularly and empty it in time. You must clean the drawer after each switching the device off.

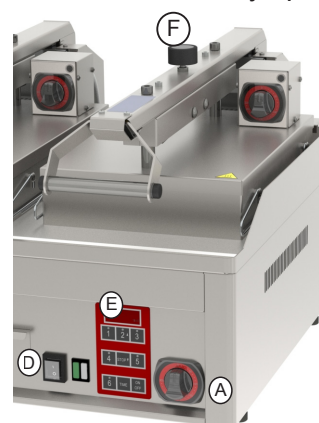
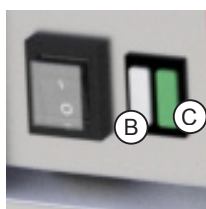
Switch on by main switch (D), pilot lamp (C) light indicates that the appliance is switched on. Turn the knob (A) and adjust required performance. Pilot lamps (B) and (C) will light. Pilot lamp (C) lights when the device is connected to the electricity. Pilot lamp (B) lights when the heating spirals are on. Pilot lamp (B) goes out when the device reaches adjusted temperature. Switch the (E) timer on by pressing the ON/OFF button. Then select one of the five pre-set programs and close the clam grill, which will lock in the lowest position. An alarm will sound when the pre-set time elapses and the clam grill will open automatically. The alarm can be switched off by pressing the STOP button. Programs under way can be interrupted prematurely by moving the clam grill handle upwards. The clam grill will open and the program will be interrupted. When the clam grill is closed again the interrupted program will start from the beginning. Keep the appliance under supervision when using it. Switch the device off by turning the knob (A) into position „0“ and switch off the main switch (D).

Maintenance

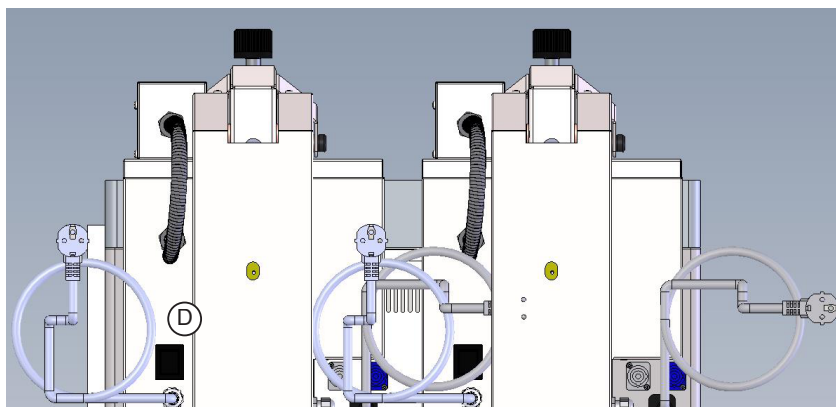
We recommend to have the device checked once a year by the professional service. Only qualified or competent persons can do interventions in the product.

Comments and recommendation

Use the device only under supervision.

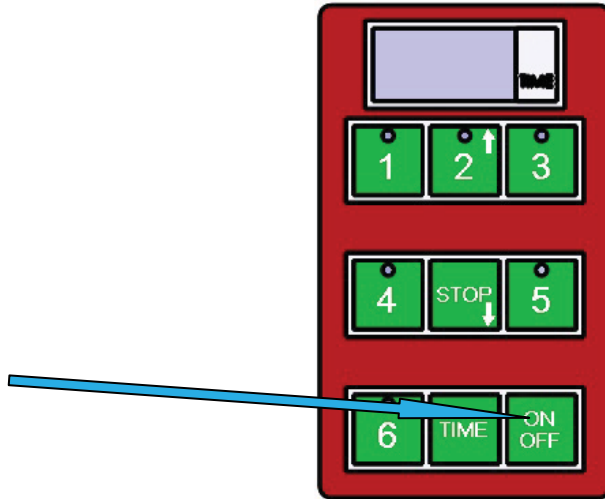


- A – Control Knob
- B – Heating up indicator
- C – Switch on indicator
- D – Main switch
- E – Digital timer
- F – Height adjustment of the top plate



1) switch on/switch off

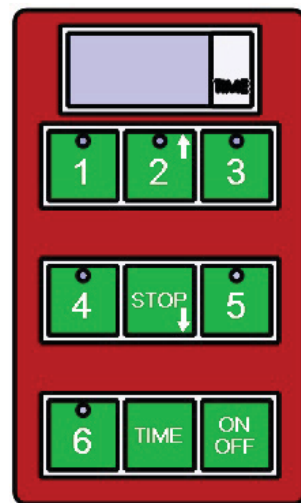
Use this button



2) For starting a pre-set cooking cycle
The timer has five pre-set cycle times.
Start these cycles by pressing button
1-5, where button:

Manufacturer's settings

PROGRAM NUMBER	TIME
Program 1 (Button 1)	1:00
Program 2 (Button 2)	1:30
Program 3 (Button 3)	2:00
Program 4 (Button 4)	2:30
Program 5 (Button 5)	3:00
Program 6 (Button 6)	user programmable



The following instructions must be followed for programing a cycle in option 6 (button 6):

1. Check that the display on the control panel shows three hyphens “---“
2. Press the button marked “TIME”
3. Use the arrow-up button (button 2) and the arrow-down button (STOP button) to change the time shown on the display (at 30 second intervals)
4. The selected time will flash on the timer.
5. Press and hold the button marked “TIME” to save the selected time.
6. Press button “6” to start the grilling cycle.

If you use programmable option 6 to repeat a user-defined cycle, you must proceed according to steps 5 and 6

The timer will notify yu that the pre-set time has elapsed by sounding a warning signal. This signal will switch off automatically after one minute, or the operator can switch it off manually by pressing the STOP button.
The red button for interrupting the pre-set program will be flashing on the key-board as the timer sounds the warning signal at the end of the cycle.
You can interrupt a program under way by pressing the STOP button.

CLEANING AND MAINTENANCE

ATTENTION! The device cannot be cleaned by direct or pressure water. Clean it daily. Daily maintenance keeps longer useful life and efficiency of the device. Before cleaning make sure to have disconnected the device from electricity. Always switch off the main feeder to the device. Stainless parts wash with moist cleaning cloth and non abrasive detergent than dry it by the cloth. Do not use abrasive and corrosive detergents. All food residues must be removed from the surface, you can use scraper.

!!! YOU MUST LUBRICATE THE TOP WITH VEGETABLE OIL AFTER EACH CLEANING !!!

WHAT TO DO IN CASE OF BREAK-DOWN

Switch off the electric feeder and call seller's professional service.

INDICATION

Guarantee does not cover all consumption parts succumable to common wear (rubber seals, bulbs, glass and plastic parts etc.). The guarantee does not refer to the devices which were not installed in correspondence with instructions - by qualified worker, in conformity with standards and when somebody handled incompetently the device (interventions into inner equipment) or the device was operated by non qualified staff or at variance with instructions for use. Guarantee does not also cover the damages caused due to influence of nature or other outer intervention.

Point for cleaning steel-alloy plate:

- Heat up the device
- Turn of the device
- The plate pull off with scraper
- Apply water to chemistry (RM grill) and clean the plate from residual dirt and sediment
- Apply pure water (The solution is with vinegar or lemon)
- Pull off the water and than to dry the plate with rag
- Turn on the device up to 70 °C and from the plate let evaporate residual humidity
- To smear the grill areas with vegetable oil

Point for cleaning chrome plate:

- Heat up the device
- Turn of the device
- The plate pull off with plastic scraper
- Apply water with a saponate and clean the plate with a sponge
- Apply pure water
- Pull off the water and than to dry the plate with rag
- Turn on the device up to 70 °C and from the plate let evaporate residual humidity

DIE NORMENÜBEREINSTIMMUNGSDEKLARATION

Der Produzent erklärt, daß die Geräte in einer Übereinstimmung mit den Vorschriften der 2014/35/EU, 2014/30/EU dem Gesetz Nr. 118/2016 sb., 117/2016 sb. der Sammlung und zugehörigen Regierungsverordnungen stehen. Die Installation muss mit der Absicht auf geltende Normen durchgeführt werden. Vorsicht, im Falle einer direkten oder indirekten Beschädigung, die sich auf falsche Installation, unrichtigen Eingriff oder Anpassungen, ungenügende Instandhaltung, unrichtige Verwendung beziehen, und welche eventuell durch andere Ursachen, als in Punkten der Verkaufsbedingungen angeführt ist, so verzichtet der Importeur auf jegliche Verantwortung. Dieses Gerät ist nur für fachliche Verwendung bestimmt und muß durch qualifizierte Person bedient werden. Teile, die nach der Einstellung durch den Hersteller oder durch befugte Person gesichert wurden, dürfen vom Benutzer keineswegs umgestellt werden.

DIE TECHNISCHEN DATEN

Das Schild mit technischen Angaben ist auf der Rückseite des Gerätes angebracht. Studieren sie vor der Installation das elektrische Schema der Einschließung und alle folgende Informationen durch.

MODEL	SPANNUNG (V)	ANSCHLUSSWERT (KW)	PLATTEABMESSUNG (CM)	ABMESSUNG (CM)
KDA-33 ED	230	3+3	48x32+40x28	33x70,8x44,2
KDA-63 ED	230	6+3	48x65+40x28	66x70,8x44,2
KDA-66 ED	230	6+3+3	48x65+2x40x28	66x70,8x44,2

DIE VERPACKUNGS-, UND VORRICHTUNGSKONTROLLE

Die Vorrichtung verlässt unsere Lager in ordentlicher Verpackung, auf deren die entsprechenden Symbole und Bezeichnungen stehen. In der Verpackung befindet sich entsprechende Bedienungsanweisung. Falls die Verpackung eine schlechte Behandlung oder Anzeichen der Beschädigungen vorweist, muß dieses sofort beim Transporteur reklamiert werden und zwar durch Unterzeichnung eines Schadensprotokolles.

Wichtige Hinweise

-Das Erzeugnis ist nur zur Verwendung im Innenraum bestimmt.

Verwenden Sie den Verbraucher nie, wenn die Speisezuleitung oder der Stecker beschädigt sind, das Gerät nicht richtig arbeitet, ist auf den Boden gefallen und hat sich beschädigt oder ist ins Wasser gefallen. Bringen Sie in solchen Fällen den Verbraucher zu einem Fach-Kundendienst zur Überprüfung seiner Sicherheit und richtiger Funktion.

- Nur für professionellen Verbrauch geeignet
- Diese Bediennungsanleitung muss ordentlich und bedächtig gelesen werden, weil sie wichtige Informationen über Sicherheitsmerkmale, Installation und Anwendung beinhaltet
- Diese Empfehlungen beziehen auf diesen Produkt
- Der Produkt entspricht geltenden Normen
- Diese Anleitung muß ordentlich für die zukünftige Verwendung hinterlegt werden
- Hindern Sie den Kinder an Vorrichtungsm Manipulation
- Beim Verkauf oder Verlegung ist es notwendig sich zu überzeugen, daß die Bedienstperson oder Fachservis sich mit der Beherrschung und Installationsanweisung in beiliegender Anleitung, anvertraut gemacht haben.
- Das Produkt darf nur eingeschulte Bedienung bedienen
- Das Produkt darf nicht ohne Aufsicht ins Betrieb gesetzt sein
- Es ist empfohlen, minimal einmal pro Jahr eine Fachkontrolle durchführen zu lassen
- Bei eventueller Reparatur der Teilenumtauschungen müssen ausschließlich Originalteile angewendet werden

DIE PLATZIERUNG

Es ist unbedingt notwendig, zu der Regulation der Gerätetätigkeit, daß das Milieu - der Küche -, wo das Gerät installiert wird, sehr gut belüftbar ist (im Hinblick darauf: sei der Techniker sich mit geltenden Normen (EN) richtet). Wenn die Einrichtung so plaziert wird, daß sie im Mobiliarwandkontakt stehen wird, so müssen diese einer Temperatur von 90°C widerstehen. Die Installation, Herrichtung, Inbetriebnahme müssen durch qualifizierte Person, die zu solchen Vorkehrungen eine Befugnis hat und dies laut geltenden Normen nach, durchgeführt werden.

Packen Sie das Gerät aus und kontrollieren Sie , ob sich das Gerät während des Transportes nicht beschädigt hat. Platzieren Sie das Gerät auf eine waagrechte Fläche (maximale Unebenheit bis 2°). Stellen Sie das Gerät unter den Haubenabzug, damit Sie die Wasserdämpfe und den Geruch eliminieren. Das Gerät kann selbständig oder in einer Reihe mit Geräten unserer Herrstellung installiert werden. Es ist notwendig die minimale Entfernung von 10 cm zu anderen Gegenständen einzuhalten, so dass die Wärmeisolierung der brennbaren Teilen gewährleistet wird.

Das Gerät kann selbständig oder in einer Reihe mit Geräten unserer Herrstellung installiert werden. Es ist notwendig die minimale Entfernung von 10 cm zu anderen Gegenständen einzuhalten, so dass die Wärmeisolierung der brennbaren Teilen gewährleistet wird.

TECHNISCHE HINWEISE ZUR INSTALLATION UND REGELUNG

Wichtig:

Zur Benützung AUSSCHLIEßLICH nur für spezialisierte Techniker
Instruktionen, die folgen, wenden sich an den Techniker, der für die Installation qualifiziert ist, damit er alle Operationen mit der korrektesten Weise und laut der gültigen Normen durchführt.

Wichtig

Jeweils irgendeine Tätigkeit, die mit der Regulation verbunden ist u.ä, muß nur mit der aus dem Netz ausgezogenen und abgeschalteten Einrichtung vollgezogen sein.
Solange das Gerät unter der Spannung notwendig zu halten ist, eine höchste Vorsicht zu beachten vorliegt.

DIE SICHERHEITSVORRICHTUNGEN AUS DER SICHT DES FEUERSCHUTZES LAUT EN. 061008 ČL. 21

Die Einrichtungsbedienung dürfen nur Erwachsene ausführen

- Das Gerät darf sicher in gewöhnlicher Umgebung laut EN 332000-4-482; EN 332000-4-42 verwendet werden.
- Es ist notwendig das Gerät so platzieren, daß es auf einer unbrennbaren Grundlage steht oder hängt.
- Es dürfen, auf und in eine Entfernung, die kleineremase als sicher vom Gerät bezeichnet wird, keine Gegenstände aus brennbaren Materilien (die kleinste Entfernung vom Brennbarem ist 10 cm) aufgestellt werden.
- Die sicheren Entfernungen von Massen der einzelnen Brenngra

Tabelle:

Baumassefeuerbrenngrad ins Brenngrad (EN) der Massen und Produkte eingegliedert

A	Unbrennbar	Granit, Sandstein, beton, Ziegel, Keramikbekleidung, Putz
B	nicht einfach brennbar	Akumin, Heraklit, Lihnos, Itaver
C1	schwer brennbar	Holz, Laubbaum, Furnier Sirkoklit, Festpapier, Umakart
C2	mittel brennbar	Holzspanplatten, Solodur, Korkplatten, Hartgummi, Bodenbeläge
C3	leicht brennbar	Holzfasерplatten, Polystyren, Polyureten, PVC

Die Bedarfsartikel müssen sicher installiert werden und sind mit regulierenbaren Beinchen - zur Ausgleichen der Höhe und der Unebenheiten eingestattet.

Die Geräte müssen in einer sicheren Weise installiert werden. Bei der Installation müssen weiter betreffende Projekt-, Sicherheits-, und Hygienevorschriften respektiert werden.

- EN 06 1008 Feuerschutz der örtlichen Geräte und der Wärmquellen
- EN 33 2000 (33 2000-4-482; 33 2000-4-42) Umgebung für elektrische Geräte
- Gasversorgung -Gasleitungen in Gebäuden - Höchste Verkehrsdruck ≤ 5 BarVerkehrsansprüche,
- § 10 des Gesetzes Nr.185/2001 Sb., der Abfälle betrifft.

DER ELEKTRISCHE KABELNETZANSCHLUSS

Die Installation der elektrischen Ankupplung - Diese Zuleitung muß selbstständig gesichert werden. Und das durch entsprechende Sicherung des Nennstromes in der Abhängigkeit am Anschlußwert des installierten Gerätes. Kontrollieren sie den Anschlußwert des Apparates auf dem Produktionsschild im Hinterteil des Gerätes. Schließen Sie das Gerät direkt ans Netz an.

Es ist unbedingt notwendig zwischen das Gerät und das Netz einen Schalter zu legen, der eine minimale Entfernung von 3mm unter den Einzelkontakten aufweist und der auch den geltenden Normen und Belastungen entspricht. Die Erdungszuleitung (gelbgrün) darf nicht durch diesen Schalter unterbrochen sein.

Der Zuleitungskabel muß in jedem Fall so angebracht sein, dass er in keinem Punkt einer um 50°C höherer Temperatur als Umgebungstemperatur nicht erreicht. Eher das Gerät ans Netz angeschlossen wird, versichern Sie sich, dass:

- die Zuleitungssicherung und die Innenscheidung die Einrichtungsbelastung ertragen (siehe Matriceschild),
- die Verteilung mit wirksamer Erdung laut Normen (EN) und Gesetzbedingungen ausgestattet ist

WIR VERZICHTEN AUF JEDLICHE VERANTWORTUNG IM FALLE, DASS DIESE NORMEN NICHT RESPEKTIERT WERDEN UND IM FALLE DER NICHTEINHALTUNG DER OBENERWÄHNTER GRUNDSÄTZE.

Es ist notwendig die Schutzfolie vor der ersten Benützung zu beseitigen, sowie das Gerät zu reinigen siehe das Kapitel „Reinigung und Instandhaltung“.



-Führen Sie den Stecker der Speisezuleitung in die el. Steckdose und ziehen ihn aus der el. Steckdose mit nassen Händen und durch Ziehen der Speisezuleitung nicht!

-Verwenden Sie keine Verlängerungskabel oder Kombisteckdosen.

GEBRAUCHSANWEISUNG:

Vorsicht!

Bevor Sie das Gerät verwenden werden, ist es notwendig ihn gut mit feuchtem Waschlappen abzuwaschen. Lassen Sie nie das Gerät ohne Aufsicht im Betrieb.

Behälter für Ölsammlung

Es ist wichtig den Behälter regelmässig zu kontrollieren und diesen auch beizeilig ausleeren. Den Behälter müssen nach jeder Gerätausschaltung reinigen. Packen Sie das Gerät aus und kontrollieren Sie, ob das Gerät beim Transport nicht beschädigt wurde. Befestigen Sie die Anlage an den Fry-Top gemäß Abbildung entweder mit Hilfe der FüÙe, oder der FüÙe und Schrauben. Danach setzen Sie die Federn so auf die Kontaktplatte auf, dass sie diese in angehobener Stellung halten und gleichzeitig nicht eigenmächtig anheben, wenn die Anlage nach unten gelassen ist.

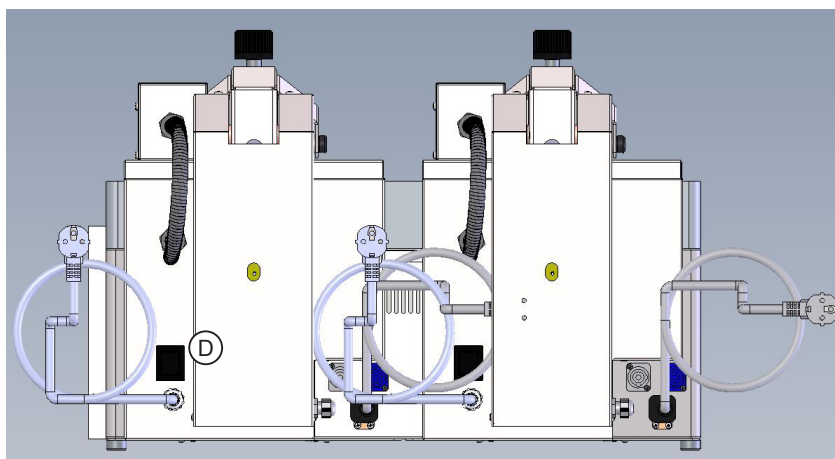
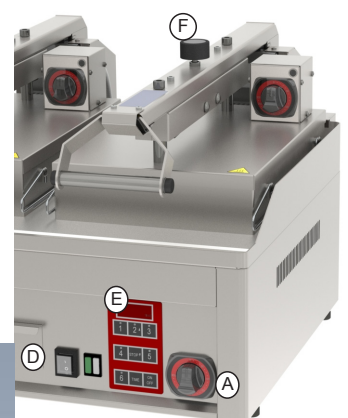
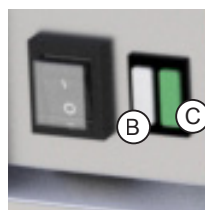
Es ist ein Mindestabstand von 10 cm von den übrigen Gegenständen einzuhalten und ein Kontakt des Geräts mit brennbaren Materialien zu vermeiden. In diesem Fall sind entsprechende Anpassungen sicherzustellen, um die Wärmeisolierung der brennbaren Teile zu gewährleisten.

Schalten Sie mit dem Hauptschalter (D), die Anzeigeleuchte (C) zeigt das Einschalten des Gerätes an. Drehen Sie mit dem Beherrschenrädchen (A) und stellen Sie die verlangte Temperatur ein. Die Kontrollleuchten (B) und (C) werden scheinen. Die Kontrolllampe (C) scheint, wenn das Gerät unter Elektrostrom steht. Die Kontrolllampe (B) scheint, wenn die Heizkörperspiralen im Gange sind. Schalter (E) Der Zeitgeber wird durch Betätigen der Taste eingeschaltet. ON/OFF. Dann wählen wir ein der fünf vorgewählten Programme aus und schließen den Clam-Grill. Dieser sperrt sich in der unteren Position ab. Nach der Zeitbeendigung erschallt der Alarm und der Clam-Grill öffnet sich automatisch. Alarm kann durch Betätigen der Taste STOP ausgeschaltet werden.

Das verlaufende Programm kann vorzeitig durchs Verschieben des Clam-Grill-Handgriffs aufwärts unterbrochen werden. Der Clam-Grill öffnet sich und das Programm wird unterbrochen. Nach wiederholter Schließung des Clam-Grills startet das unterbrochene Programm von Anfang an. Benutzen Sie das Gerät nur unter Aufsicht.

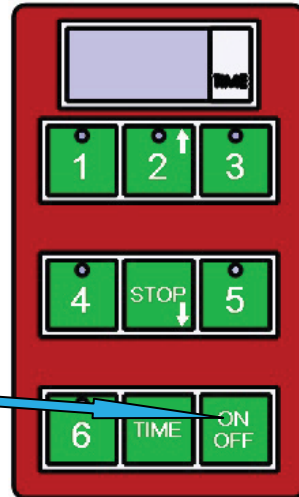
Das Gerät schalten Sie so aus, wenn Sie das Beherrschenrädchen (A) in die Lage „0“ umdrehen und mit dem Hauptschalter (D) ausschalten.

- A – Regulierungsknopf
- B – Auffheizkontrolllampe
- C – Power-Anzeige
- D – Zentraler schalter
- E – Digital thermostat
- F – Verstellung der Höhe der oberen Platte



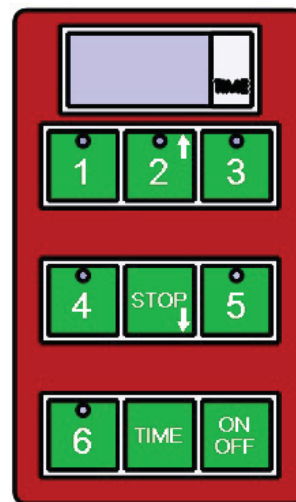
1) Einschalten / Ausschalten

Benutzen Sie diese Taste



2) Zum Starten der voreingestellten Zeit
Der Zeitgeber hat 5 voreingestellte Zeitabstände.
Diese zeitabstände starten Sie durch Betätigen der Taste
1-5, wo die Taste:

Werkseinstellung	ZEIT
PROGRAMMNUMMER	
Programm 1 (Taste 1)	1 Min.
Programm 2 (Taste 2)	1:30 Min.
Programm 3 (Taste 3)	2 Min.
Programm 4 (Taste 4)	2:30 Min.
Programm 5 (Taste 5)	3 Min.
Programm 6 (Taste 6)	Benutzerprogrammiert



Zum Programmieren des Zyklus in der Option 6 (Taste 6) müssen folgende Anweisungen eingehalten werden:

1. überprüfen Sie, ob das Display der Steuertafel 3 Striche anzeigt „---“
2. betätigen Sie die mit „TIME“ gekennzeichnete Taste
3. durch Betätigen der Taste mit aufwärts gerichtetem Pfeil (Taste 2) und abwärts gerichtetem Pfeil (Taste STOP) ändern Sie die am Display angezeigte Zeit (je 30 Sekunden).
4. Die am Zeitgeber gewählte Zeit wird blinken.
5. Drücken Sie und halten die mit „TIME“ gekennzeichnete Taste, damit die gewählte Zeit gespeichert wird.
6. betätigen Sie die Taste „6“, womit der Grillzyklus gestartet wird.

Wenn Sie die programmierbare Option 6 benutzen, damit sich der benutzerdefinierte Zyklus wiederholt, müssen Sie entsprechend der Schritte 5 und 6 vorgehen.

Auf das Ende der voreingestellten Zeit weist der Zeitgeber mit akustischem Signal hin. Dieser Ton wird nach einer Minute automatisch abgeschaltet oder kann ihm die Bedienung durch Betätigen der Taste STOP ausschalten.

Während der Zeitgeber auf das Prozessende aufmerksam macht, blinkt auf dem Tastenfeld die rote Taste der Unterbrechung eines voreingestellten Programms.

Sie können das eben laufende Programm durch Betätigen der Taste STOP abbrechen.

INSTANDSHALTUNG

Es ist empfohlen mindestens einmal pro Jahr das Gerät durch einen fachlichen Servicedienst warten zu lassen. Alle Eingriffe in das Gerät darf nur eine qualifizierte Person durchführen, die zu solchen Handlungen eine Befugnis besitzt.

!!! Nach jedem Reinigungsaustrüstung nötig ist, die Oberfläche der Arbeitsplatte mit Pflanzenö!!!

Bemerkunge und Empfehlunge

Benützen Sie das Gerär nur unter ständigen Aufsicht.

DIE REINIGUNG UND INSTANDSHALTUNG

ACHTUNG! Die Einrichtung darf nicht mit Direkt-, oder Druckwasserstrahl gereinigt werden. Reinigen Sie das Gerät täglich. Die Lebensdauer und Gerätewirkung wird durch die tägliche Wartung gewährleistet. Überzeugen Sie sich, vorm Reinigungsanfang, dass Sie die Einrichtung vom Elektrostrom abgeschaltet haben. Schalten Sie immer die Gerätehauptzufuhr ab. Waschen Sie die Edeltahteile mit feuchtem Waschlappen, der im Waschpulver getauft ist und keine grobe Teilchen aufweist. Wischen Sie alles ins Trockene ab. Verwenden Sie keine abrasive- oder korrosionsreiche Reinigungsmitteln. Alle Speisenreste müssen von der Arbeitsplatte beiseitigt werden. Sie können eine Spachtel benützen. Nach jeder Gerätereinigung müssen Sie die Grillplatten mit Pflanzenöl aufreiben.

WIE MAN IM FALLE EINER STÖRUNG VORANGEHEN SOLL

Schalten sie die elektrische Stromleitung ab und rufen die Serviceorganisation des Verkäufers an.

Wie man eine Stahlgrillplatte pflegen soll:

- die Grillplatte einheizen
- Abschalten
- mit einem Spachtel oder Schäber reinigen
- Wasser mit Reinigungsmittel /z.B. RM Grillreiniger/ auf die Platte eingiessen, Schmutze und Schämme ordentlich entfernen
- Rein Wasser auf die Grillplatte eingiessen , passend ist auch eine Essig- oder Zitronenlösung
- Rest des Wassers abwischen und die Platte mit dem Tuch abtrocknen
- restliche Nässe abdampfen lassen
- die Grillplatte mit Pflanzenoil aufstreichen

Wie man eine verchromte Grillplatte pflegen soll:

- die Grillplatte einheizen
- abschalten
- Mit einem Kunststoffspachtel oder Schäber reinigen
- Wasser mit Reinigungsmittel auf die Platte eingiessen , Schutze und Schämme mi teinem Schwamm entfernen
- Rein Wasser auf die Grillplatte eingiessen
- Rest des Wassers abwischen und die Platte mit dem Tuch abtrocknen
- Restliche Nässe abdampfen lassen

HINWEIS

Die Garantie bezieht sich nicht auf alle Verbrauchsteile, die der geläufiger Abnutzung unterstehen (gesamte Gummidichtungen, Glühlampen, alle glasernde und plastiche Teile, usw.). Die Garantie bezieht sich nicht weiterhin auf Einrichtungen, die durch befugte Person laut Anweisung und entsprechender Normen nicht installiert worden sind und wenn mit dem Gerät unfachmännisch manipuliert wurde (Eingriffe ins Innere) und auf Beschädigungen durch Natureinflüsse oder Ausseneingriffe.

DÉCLARATION DE CONFORMITÉ

Le fabricant certifie la conformité des appareils aux normes 2014/30/EU, 2014/35/EU à la loi n° 117/2016 sb., 17/2003 sb. et aux décrets applicables. L'installation doit être effectuée dans le respect des normes en vigueur. Attention: le fabricant décline toute responsabilité en cas de dommages, directs ou indirects, causés par une mauvaise installation, par une utilisation, des interventions ou des modifications impropres, par un entretien insuffisant, ainsi qu'en cas de dommages dérivant des causes mentionnées dans les conditions de vente. L'appareil objet de la présente notice est prévu pour un usage professionnel, aussi son utilisation doit-elle être confiée à un personnel possédant les compétences nécessaires à cet effet. L'utilisateur ne doit procéder à aucune intervention ni à aucune modification sur les parties réglées et protégées par le fabricant ou autre personnel autorisé à cet effet.

CARACTÉRISTIQUES TECHNIQUES

L'étiquette sur laquelle figurent les caractéristiques techniques est apposée sur la partie postérieure de l'appareil. Avant de procéder à l'installation, prendre connaissance du schéma électrique et de toutes les informations que contient la présente notice.

MODEL	TENSION (V)	PUISSANCE (KW)	DIMENSIONS PLAQUE (CM)	DIMENSIONS TOTAL (CM)
KDA-33 ED	230	3+3	48x32+40x28	33x70,8x44,2
KDA-63 ED	230	6+3	48x65+40x28	66x70,8x44,2
KDA-66 ED	230	6+3+3	48x65+2x40x28	66x70,8x44,2

CONTROLE DE L'EMBALLAGE ET DE L'APPAREIL

En vue de son transport, l'appareil quitte les établissements du fabricant parfaitement emballé (sur l'emballage sont apposés les étiquettes et les symboles nécessaires à cet effet). L'emballage contient également la notice des instructions d'utilisation. Dans le cas où l'emballage présenterait des dommages ainsi que dans le cas où il s'avérerait qu'il a été manipulé sans les précautions nécessaires, il est impératif d'adresser sans attendre une déclaration au transporteur en y joignant une acceptation de la marchandise sous réserve.

Recommandation importante:

-Le produit est destiné uniquement à un usage intérieur.

N'utilisez jamais cet appareil si le cordon ou la fiche sont endommagés, si l'appareil fait défaut, s'il a été échappé ou endommagé ou immergé. Dans ce cas, retournez cet appareil au centre service autorisé pour examen.

- Pour usage professionnel seulement
- La présente notice des instructions d'utilisation et d'entretien contient d'importantes informations relatives à la sécurité, à l'installation et à l'utilisation; il est nécessaire d'en effectuer attentivement la lecture.
- Les recommandations se réfèrent à l'appareil objet de la présente notice.
- L'appareil est conforme aux normes en vigueur.
- Veiller à bien conserver la notice de telle sorte qu'elle puisse être consultée à tout moment en cas de besoin.
- Ne pas laisser des enfants s'approcher de l'appareil durant son utilisation.
- Pendant la vente ou après le déménagement de l'appareil vérifier que le personnel lise attentivement la présente notice d'utilisation
- L'appareil ne peut être utilisé que par le personnel instruit
- L'appareil ne peut être laissé en marche sans surveillance
- Il est recommandé de faire l'appareil contrôler au moins une fois par an dans un service spécialisé
- Ne pas utiliser que des pièces détachées originelles.
- En cas de défaut ou de mauvaise fonction, débrancher l'appareil (eau, gaz, électricité) et appeler un service spécialisé
- Le fabricant décline toute responsabilité en cas de dommages, directs ou indirects, causés par une mauvaise installation, utilisation, etc

LA LOCATION

Le local dans lequel l'appareil est installé doit être bien ventilé. Si l'appareil doit toucher le parois, celui-ci doit résister à la chaleur de 90°C au minimum. L'installation, le réglage et la mise en marche doivent être effectués par une personne qualifiée ayant une autorisation nécessaire selon les normes en vigueur.

Déballer l'appareil et vérifiez s'il n'était pas endommagé pendant le transport. Placez l'appareil sur une surface horizontale (pente maximale de 2°). Placez l'appareil sous une hotte pour éliminer la vapeur et mauvaise odeur.

L'appareil peut être installé seul ou en série avec d'autres appareils de notre fabrication. Il faut respecter la distance minimale de 10 cm entre l'appareil et d'autres objets ainsi qu'éviter le contact avec les matériaux inflammables. Dans ce cas il faut prévoir les arrangements nécessaires pour assurer la protection des parties inflammables.

INSTRUCTIONS TECHNIQUES POUR INSTALLATION ET REGLEMENT

Important:

Le fabricant ne fournit pas de garantie pour les défauts causés par l'usage, tout manquement impropre aux instructions contenues dans les instructions ci-jointes pour l'utilisation et aux mauvais traitements des appareils.

Installation, réglage et réparation d'appareils pour les cuisines, ainsi que leur élimination en raison de dommages possibles au gaz peut être effectuée qu'en vertu d'un contrat de maintenance, ce contrat peut être signé avec un distributeur agréé, et doivent être conformes à la réglementation technique et normes et réglementations concernant l'installation, l'alimentation, de raccordement de gaz et de la santé et la sécurité du système.

Ces instructions sont destinées au technicien qualifié qui doit effectuer l'installation, le mettre en marche et tester l'appareil.

Toute activité en tant que paramètres, le placement, le rééquilibrage etc, doit être faite que lorsqu'il est périphérique déconnecté de l'électricité. Si il est nécessaire d'avoir le périphérique connecté à l'électricité, vous devez garder la plus grande attention afin d'éviter toute blessure.

MÉSURES DE SÉCURITÉ POUR LA PROTECTION CONTRE INCENDIE SELON EN 06 1008 ARTICLE 21:

- l'appareil ne peut être utilisé que par des personnes majeures
- l'appareil peut être utilisé dans un espace ordinaire selon EN 332000-4-482; 332000-4-42
- l'appareil doit être placé ou suspendu d'une manière stable sur une surface ininflammable

Il est interdit de placer sur l'appareil ou dans la distance inférieure à 10 cm de l'appareil des objets inflammables.

- les distances de sécurité pour les matériaux inflammables selon leurs degré d'inflammabilité et les informations sur l'inflammabilité des matériaux de construction – voir le tableau

Tableau:

degré d'inflammabilité d'un matériel de construction (EN 730823)

A ininflammables	granit, grès, béton, briques, carrelage céramique, enduit
B difficilement inflammables	acumin, héraclite, lihnos, itaver
C1 mal inflammables	bois des arbres feuillus, contre-plaqué, papier durci, umakart
C2 inflammabilité moyenne	aggloméré, solodur, liège, caoutchouc, revêtements
C3 inflammabilité facile	planches de fibre de bois, polystyrène, polyurethane, PVC

L'appareil doit être installé d'une manière sûre. Pour l'ajustage de l'appareil est ce-ci procuré des pieds réglables.

- EN 06 1008 protection contre incendie des consommateurs d'énergie locaux et des émetteurs de chaleur
- EN 33 2000 (33 2000-4-482; 33 2000-4-42) le milieu pour les appareil électriques

BRANCHEMENT ÉLECTRIQUE

Installation de prise de courant – La prise de courant doit avoir un coupe-circuit indépendant en dépendance de puissance fournie de l'appareil. Vérifiez la puissance de l'appareil sur la plaque des caractéristiques techniques.

Branchez l'appareil directement au réseau, il faut mettre un interrupteur entre le réseau et l'appareil, son ouverture de contacts étant 3 mm au minimum. Câble de terre (vert-jaune) ne peut pas être interrompu par cet interrupteur. En tout cas, le câble de prise de courant doit être placé de telle manière que sa température ne dépasse jamais la température du milieu de plus que 50°C. Avant le branchement au réseau, s'assurer que :

- le coupe-circuit et distribution intérieure peuvent endurer la charge de l'appareil (voir la plaque)
- la mise à la terre fonctionne selon les normes en vigueur (EN) et selon la loi
- la prise ou l'interrupteur de circuit sont faciles d'accès

Le fabricant rénonce à toute responsabilité en cas que les normes ne seront pas respectés ainsi qu'en cas de dérogation des règles mentionnés ci-haut.

Avant la première utilisation, il faut retirer le film de protection et nettoyer l'appareil – voir chapitre « nettoyage et entretien ».

Entretien:

Il est recommandé de faire contrôler l'appareil dans un service spécialisé au moins une fois par an. Toutes les interventions peuvent être effectuées seulement par une personne qualifiée ayant une autorisation pour ces interventions.



-N'introduisez pas la fiche du cordon dans la prise de courant et ne débranchez pas l'appareil de la prise électrique si vos mains sont mouillées ou en tirant sur le cordon électrique !

-N'utilisez pas de rallonge ou de multiprise.

GEBRAUCHSANWEISUNG:

Vorsicht!

Bevor Sie das Gerät verwenden werden, ist es notwendig ihn gut mit feuchtem Waschlappen abzuwaschen. Lassen Sie nie das Gerät ohne Aufsicht im Betrieb.

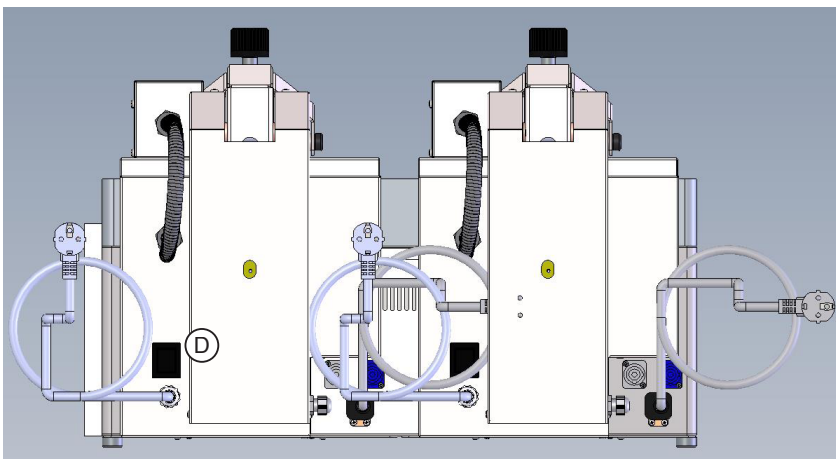
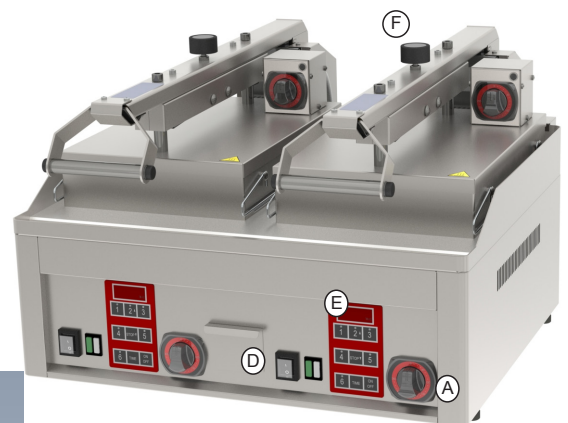
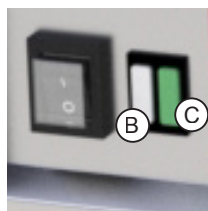
Behälter für Ölsammlung

Es ist wichtig den Behälter regelmässig zu kontrollieren und diesen auch beizeitig ausleeren. Den Behälter müssen nach jeder Gerätausschaltung reinigen. Packen Sie das Gerät aus und kontrollieren Sie, ob das Gerät beim Transport nicht beschädigt wurde. Befestigen Sie die Anlage an den Fry-Top gemäß Abbildung entweder mit Hilfe der Füße, oder der Füße und Schrauben. Danach setzen Sie die Federn so auf die Kontaktplatte auf, dass sie diese in angehobener Stellung halten und gleichzeitig nicht eigenmächtig anheben, wenn die Anlage nach unten gelassen ist.

Es ist ein Mindestabstand von 10 cm von den übrigen Gegenständen einzuhalten und ein Kontakt des Geräts mit brennbaren Materialien zu vermeiden. In diesem Fall sind entsprechende Anpassungen sicherzustellen, um die Wärmeisolierung der brennbaren Teile zu gewährleisten.

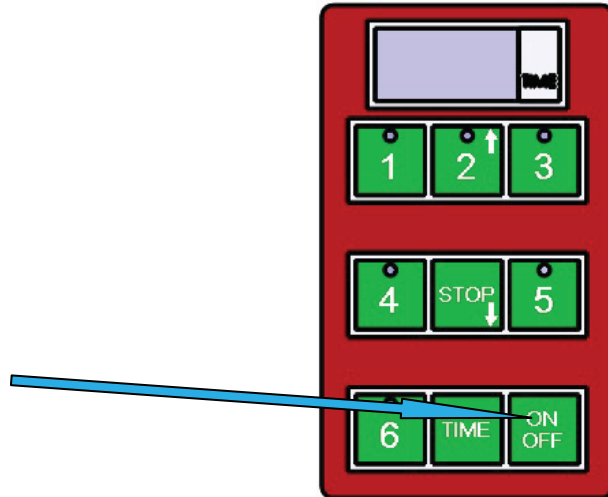
Allumer l'appareil a l'aide de l'interrupteur principal (D), Le témoin (C) indique que l'appareil est allumé. Tourner le dispositif de commande (A) jusqu'à ce que la puissance souhaitée soit réglée. Les voyants lumineux (B) et (C) sont semblent. Le témoin lumineux vert (C) indique : –si l'appareil est en marche. Le témoin orange (B) signale le fonctionnement du corps de chauffe et lorsqu'il s'éteint, l'appareil est chauffé à la température réglée. (E) Activer le minuteur en appuyant sur la touche ON/OFF. Choisissez ensuite l'un des cinq programmes pré-réglés et fermez le clam. Il se verrouille en position basse. Lorsque le temps pré-réglé est écoulé, l'alarme retentit et le clam s'ouvre tout seul. L'alarme peut être éteinte en appuyant sur la touche STOP. Le programme en cours peut être interrompu plus tôt en poussant la poignée du clam vers le haut. Le clam s'ouvre alors et le programme est interrompu. Après avoir refermé le clam, le programme interrompu se remet en marche depuis le début. N'utilisez l'appareil que lorsqu'il est sous surveillance. L'appareil s'éteint quand vous tournez le dispositif de commande (A) jusqu'à le point « 0 » et quand vous éteignez l'appareil à l'aide de l'interrupteur principal (D).

- A – Bouton de commande
- B – Veilleuse chauffage
- C – Voyant d'alimentation
- D – Interrupteur principal
- E – Minuterie numérique
- F – Réglage de la hauteur de la plaque supérieure



1) ALLUMÉ/ÉTEINT

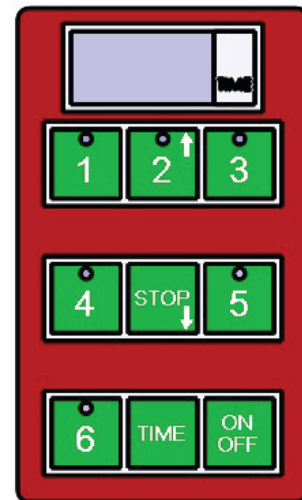
UTILISEZ CETTE TOUCHE



2) POUR LANCER LE TEMPS PRÉRÉGLÉ
LE MINUTEUR DISPOSE DE 5 DURÉES PRÉRÉGLÉES.
VOUS POUVEZ LANCER CES DURÉES EN APPUYANT SUR
LES TOUCHES 1 À 5 OU LA TOUCHE :

RÉGLAGE D'USINE

NUMÉRO DU PROGRAMME	DURÉE
PROGRAMME 1 (TOUCHE 1)	1 MIN.
PROGRAMME 2 (TOUCHE 2)	1:30 MIN.
PROGRAMME 3 (TOUCHE 3)	2 MIN.
PROGRAMME 4 (TOUCHE 4)	2:30 MIN.
PROGRAMME 5 (TOUCHE 5)	3 MIN.
PROGRAMME 6 (TOUCHE 6)	PROGRAMMATION PAR L'UTILISATEUR



POUR PROGRAMMER UN CYCLE DANS LE CADRE DU PROGRAMME 6 (TOUCHE 6), IL EST NÉCESSAIRE DE RESPECTER LES INSTRUCTIONS SUIVANTES

1. CONTRÔLEZ QUE L'ÉCRAN DU PANNEAU DE COMMANDE AFFICHE 3 TIRETS „---“
2. APPUYEZ SUR LA TOUCHE DÉSIGNÉE „TIME“
3. UTILISEZ LA TOUCHE AVEC LA FLÈCHE VERS LE HAUT (TOUCHE 2) ET CELLE AVEC LA FLÈCHE VERS LE BAS (TOUCHE STOP) POUR MODIFIER LE TEMPS INDIQUÉ SUR L'ÉCRAN (MODIFICATION PAR INTERVALLES DE 30 SEC.).
4. LE TEMPS SÉLECTIONNÉ SUR LA MINUTERIE VA CLIGNOTER.
5. APPUYEZ ET MAINTENEZ LA TOUCHE DÉSIGNÉE „TIME“ POUR ENREGISTRER LA DURÉE CHOISIE.
6. APPUYEZ SUR LA TOUCHE „6“ POUR COMMENCER LE CYCLE DU GRILL.

SI VOUS UTILISEZ LA POSSIBILITÉ DE PROGRAMMATION DU PROGRAMME 6 POUR RENOUVELER LE CYCLE DÉFINI PAR L'UTILISATEUR, VOUS DEVEZ PROCÉDER SELON LES ÉTAPES 5 ET 6

LA FIN DU TEMPS PRÉRÉGLÉ EST INDIQUÉE PAR UN SIGNAL SONORE. CE SIGNAL SE COUPE AUTOMATIQUÉMENT AU BOUT D'UNE MINUTE OU BIEN IL PEUT ÊTRE ÉTEINT PAR L'UTILISATEUR À L'AIDE DE LA TOUCHE STOP.

PENDANT QUE LA MINUTERIE INDIQUE QUE LE TEMPS S'EST ÉCOULÉ, LA TOUCHE ROUGE DU CLAVIER CLIGNOTE POUR INDiquer L'INTERRUPTION DU PROGRAMME PRÉRÉGLÉ.

VOUS POUVEZ INTERROMPRE UN PROGRAMME EN COURS EN APPUYANT SUR LA TOUCHE STOP.

NETTOYAGE ET ENTRETIEN

ATTENTION! Le nettoyage au jet d'eau ou sous pression n'est pas autorisé.

Nettoyer l'appareillage tous les jours. Le nettoyage quotidien prolonge la durée de service et l'efficacité d'appareillage. Avant d'effectuer toute entretien, il faut débrancher l'appareil du réseau électrique. Les parties en inox doivent être nettoyées avec un chiffon humide, à l'aide d'un détergent liquide, non abrasif et ensuite être bien essuyées. Pour éliminer les reliefs du plan de travail, il est possible d'utiliser une spatule.

Comment procéder en cas d'une panne

Débrancher la prise du cordon secteur et contacter le service après-vente du revendeur.

MAINTENANCE

Il est conseillé de faire contrôler l'appareil au moins une fois par an par un service spécialisé. Tous les interventions dans l'appareil peuvent être effectuées uniquement par une personne qualifiée, possédant l'autorisation à telles opérations

!!! AFIN D'ÉVITER LA FORMATION DE ROUILLE, IL FAUT TRAITER LA SURFACE AVEC UNE HUILE VÉGÉTALE APRÈS CHAQUE NETTOYAGE !!!!!

Mode de maintenance de la plaque d'acier :

- réchauffer
- éteindre
- nettoyer/ enlever avec la spatule (peut être métallique) – positionnée à plat, pas sur l'arête
- utiliser l'eau avec le détergent (peut être le RM gril) et enlever la saleté résiduelle et les dépôts
- utiliser l'eau propre (avec du vinaigre ou du citron)
- sécher et éponger
- laisser s'évaporer l'humidité résiduelle (plus facile si la plaque est encore chaude)
- huiler des plaques de gril

Mode de maintenance de la plaque chromée :

- réchauffer
- éteindre
- gratter par la spatula en plastique
- utiliser l'eau avec le détergent et récuser
- utiliser l'eau propre
- sécher et éponger
- laisser s'évaporer l'humidité résiduelle (plus facile si la plaque est encore chaude)

AVERTISSEMENT

La garantie ne couvre pas de pièces soumises à l'usure normale (étanchements en caoutchouc, lampes, pièces plastiques et en verre, etc.) ainsi que l'appareillage dont l'installation n'a pas été exécuté conformément à la mode d'emploi, par une personne qualifiée et conformément aux normes correspondantes. La garantie ne couvre pas de dommages causés par une manipulation non autorisée (interventions dans l'appareillage intérieure) ou si l'appareil était servi par des personnes non qualifiées et/ou en cas de non-respect des instructions du manuel d'utilisation. La garantie ne couvre pas de dégâts causés par des actions naturelles ou par d'autres influences extérieures.

DE VERKLARING VAN OVEREENSTEMMING MET DE NORMEN

De fabrikant verklaart dat de apparaten voldoen aan de basiseisen van de richtlijn 2014/30/EU (verordening van de regering nr. 117/2016 Coll.) en de eisen van de richtlijn 2014/35/EU (verordening van de regering nr. 118/2016 Coll.).

Houd er rekening mee dat de fabrikant elke aansprakelijkheid afwijst in geval van directe of indirecte schade, die betrekking heeft op verkeerde installatie, niet correcte ingreep of aanpassingen, onvoldoende onderhoud en onjuist gebruik en die eventueel veroorzaakt zijn door andere oorzaken die gespecificeerd zijn in de afzonderlijke punten van de verkoopsvoorwaarden. Dit apparaat is uitsluitend bedoeld voor professioneel gebruik en moet worden bediend door gekwalificeerd personeel. Onderdelen die na afstelling door de fabrikant of een geautoriseerd persoon zijn beveiligd, mogen door de gebruiker niet gewijzigd worden.

Technische gegevens

Het typeplaatje met technische gegevens bevindt zich aan de zijkant of op de achterkant van het apparaat. Bestudeer het elektrische schema van het apparaat en alle onderstaande informatie, voordat u overgaat tot installatie van het apparaat.

PRODUCTTYPE	SPANNING (V)	AANSLUITVERMOGEN (KW)	AFMETINGEN PLAAT (CM)	PRODUCT AFMETING (CM)
KDA-33 ED	2x 230	3+3	48x32+40x28	33x70,8x44,2
KDA-63 ED	3x 230	6+3	48x65+40x28	66x70,8x44,2
KDA-66 ED	4x 230	6+3+3	48x65+2x40x28	66x70,8x44,2

Controle van de verpakking en het apparaat

Het apparaat verlaat ons magazijn in een verpakking die voldoet aan alle voorschriften en waarop zich de vereiste symbolen en markeringen bevinden. In de verpakking bevindt zich de overeenkomstige gebruiksaanwijzing. Indien de verpakking beschadigd is of wijst op onjuist transport, dient u dit onmiddellijk te reclameren bij de transporteur door middel van ondertekening van een schadeprotocol. Latere indiening van klachten wordt niet in aanmerking genomen.

Belangrijke aanwijzingen

Lees deze gebruiksaanwijzing aandachtig en nauwkeurig door, omdat zij belangrijke informatie bevat over veiligheidsvoorzieningen, installatie en gebruik van het apparaat.

- Het product is alleen bedoeld om binnenshuis te worden gebruikt.
- Gebruik het apparaat nooit als de stroomtoevoer of stekker beschadigd is, als het niet juist werkt, het op de grond is gevallen en beschadigd of in het water is gevallen. Breng in dergelijke gevallen het apparaat naar een gespecialiseerde service om te controleren of het apparaat veilig is en correct werkt.
- Deze aanbevelingen zijn van toepassing op dit product of productlijn.
- Deze handleiding moet zorgvuldig bewaard worden voor toekomstig gebruik.
- Zorg ervoor dat kinderen het apparaat niet kunnen bedienen.
- Wanneer u hebt apparaat verkocht of verplaatst, zorg er dan voor dat de persoon die het apparaat bedient of er de service van doet, bekend is met het gebruik en de installatie-instructies in de bijgevoegde handleiding.
- Het product mag uitsluitend worden bediend door een persoon die bekend is met deze gebruiksaanwijzingen.
- Het ingeschakelde apparaat niet zonder toezicht laten werken.
- Wij bevelen aan om het apparaat minimaal 2x per jaar een gespecialiseerde controle en onderhoudsbeurt te geven.
- Gebruik uitsluitend originele onderdelen bij eventuele reparatie of vervanging van onderdelen.
- Het apparaat mag niet schoongemaakt worden met een waterstraal of een hogedrukreiniger.
- Bij storingen of wanneer het apparaat niet goed werkt alle leidingen (water, stroom, gas) afsluiten en contact opnemen met de geautoriseerde service.
- De producent is niet aansprakelijk voor storingen die zijn veroorzaakt door incorrecte installatie, het niet in acht nemen van bovengenoemde aanbevelingen, gebruik dat niet in overeenstemming is met de bestemming van het apparaat enz.
- Het apparaat mag alleen worden gebruikt voor het doel waarvoor het is bedoeld. Elk ander gebruik is verboden en kan leiden tot gevaar of letsel
- Er moet worden gezorgd voor de strengste naleving van de brandbeveiligingsregels
- Tijdens en kort na het bedrijf zijn sommige delen van het apparaat heet
- Het is verboden om tijdens de werking andere delen van het apparaat aan te raken dan de hiervoor bedoelde bedieningselementen

Plaatsing

De volgende richtlijnen in overeenstemming met de normen TPG G 704 01, ČSN 127040 en ČSN 127010 moeten in acht worden genomen voor de juiste werking en opstelling van het apparaat.

Pak het apparaat uit een controleer of het tijdens het transport niet is beschadigd. Plaats het apparaat op een horizontale oppervlakte (de maximale oneffenheid mag maximaal 2° bedragen). Kleine oneffenheden kunnen worden opgevangen met de stelvoeten.

Als het apparaat zodanig geplaatst is dat het in contact komt met de wanden van het meubilair, dan moeten deze bestand zijn tegen temperatuur tot 60 °C. Installatie, afstelling en inbedrijfstelling moet door een gekwalificeerd persoon uitgevoerd worden die bevoegd is voor deze handelingen in overeenstemming met de toepasselijke normen.

Het apparaat kan afzonderlijk worden geïnstalleerd of in serie met door ons geproduceerde apparaten. Er moet een minimale afstand van 10 cm tot brandbare materialen aangehouden worden. In dit geval is het ook noodzakelijk de nodige aanpassingen uit te voeren om de warmte-isolatie van de brandbare onderdelen te waarborgen.

Het apparaat mag alleen worden geïnstalleerd op een onbrandbare ondergrond of tegen een onbrandbare wand.

De kleinste vereiste luchtstroming vanuit de buitenruimte voor de apparaten van versie A ligt in het bereik van 5-20 m³/h, afhankelijk van het type apparaat. Het hangt af van de installatievoorschriften van het land van bestemming.

De door de fabrikant of zijn vertegenwoordiger beveiligde onderdelen van het apparaat mag de persoon die de installatie van het product doet, niet wijzigen.

Installatie

Belangrijk:

De fabrikant verleent geen garantie voor storingen die zijn ontstaan als gevolg van oneigenlijk gebruik, het niet in acht nemen van de instructies in bijgevoegde gebruikershandleiding en verkeerde hantering van het apparaat.

Installatie-, aanpassings- en reparatiewerkzaamheden op het apparaat voor grote keukens, evenals hun demontage als gevolg van mogelijke schade aan de gastoevoer, kunnen alleen worden uitgevoerd op basis van een onderhoudscontract. Dit contract kan met een geautoriseerde verkoper afgesloten worden, met inachtneming van de technische voorschriften en normen en voorschriften betreffende installatie, elektrische toevoerleidingen, gasaansluiting en arbeidsveiligheid.

Technische instructies voor installatie en afstelling zijn **UITSLUITEND** bestemd om door gespecialiseerde technici te worden gebruikt.

De volgende instructies zijn bestemd voor een technicus die de juiste kwalificaties bezit voor de installatie, om te verzekeren dat hij alle handelingen op de juiste manier en in overeenstemming met de geldende normen kan uitvoeren.

Iedere handeling die te maken heeft met onder andere regulatie, moet worden uitgevoerd terwijl het apparaat is losgekoppeld van de stroomvoorziening. Indien het apparaat toch onder spanning moet staan, dient u de grootst mogelijke voorzichtigheid in acht te nemen.

Het type apparaat voor de uitvoering van afzuiging staat vermeld op het typeplaatje, dit zijn de apparaten van het type A1.

Plaatsing

De volgende richtlijnen in overeenstemming met de normen TPG G 704 01, ČSN 127040 en ČSN 127010 moeten in acht worden genomen voor de juiste werking en opstelling van het apparaat.

Pak het apparaat uit een controleer of het tijdens het transport niet is beschadigd. Plaats het apparaat op een horizontale oppervlakte (de maximale oneffenheid mag maximaal 2° bedragen). Kleine oneffenheden kunnen worden opgevangen met de stelvoeten.

Als het apparaat zodanig geplaatst is dat het in contact komt met de wanden van het meubilair, dan moeten deze bestand zijn tegen temperatuur tot 60 °C. Installatie, afstelling en inbedrijfstelling moet door een gekwalificeerd persoon uitgevoerd worden die bevoegd is voor deze handelingen in overeenstemming met de toepasselijke normen.

Het apparaat kan afzonderlijk worden geïnstalleerd of in serie met door ons geproduceerde apparaten. Er moet een minimale afstand van 10 cm tot brandbare materialen aangehouden worden. In dit geval is het ook noodzakelijk de nodige aanpassingen uit te voeren om de warmte-isolatie van de brandbare onderdelen te waarborgen.

Het apparaat mag alleen worden geïnstalleerd op een onbrandbare ondergrond of tegen een onbrandbare wand.

De kleinste vereiste luchtstroming vanuit de buitenruimte voor de apparaten van versie A ligt in het bereik van 5-20 m³/h, afhankelijk van het type apparaat. Het hangt af van de installatievoorschriften van het land van bestemming.

De door de fabrikant of zijn vertegenwoordiger beveiligde onderdelen van het apparaat mag de persoon die de installatie van het product doet, niet wijzigen.

Installatie

Belangrijk:

De fabrikant verleent geen garantie voor storingen die zijn ontstaan als gevolg van oneigenlijk gebruik, het niet in acht nemen van de instructies in bijgevoegde gebruikershandleiding en verkeerde hantering van het apparaat.

Installatie-, aanpassings- en reparatiewerkzaamheden op het apparaat voor grote keukens, evenals hun demontage als gevolg van mogelijke schade aan de gastoevoer, kunnen alleen worden uitgevoerd op basis van een onderhoudscontract. Dit contract kan met een geautoriseerde verkoper afgesloten worden, met inachtneming van de technische voorschriften en normen en voorschriften betreffende installatie, elektrische toevoerleidingen, gasaansluiting en arbeidsveiligheid.

Technische instructies voor installatie en afstelling zijn **UITSLUITEND** bestemd om door gespecialiseerde technici te worden gebruikt.

De volgende instructies zijn bestemd voor een technicus die de juiste kwalificaties bezit voor de installatie, om te verzekeren dat hij alle handelingen op de juiste manier en in overeenstemming met de geldende normen kan uitvoeren.

Iedere handeling die te maken heeft met onder andere regulatie, moet worden uitgevoerd terwijl het apparaat is losgekoppeld van de stroomvoorziening. Indien het apparaat toch onder spanning moet staan, dient u de grootst mogelijke voorzichtigheid in acht te nemen.

Het type apparaat voor de uitvoering van afzuiging staat vermeld op het typeplaatje, dit zijn de apparaten van het type A1.

Veiligheidsvoorzieningen in verband met brandpreventie conform ČSN 061008 art. 21

- het apparaat mag uitsluitend door volwassenen bediend worden
- het apparaat kan veilig gebruikt worden in overeenstemming van de volgende normen:
ČSN 33 2000-4-482: Brandbeveiliging in gebieden met een speciaal risico of gevaar
ČSN 33 2000-4-42: Bescherming tegen invloeden van warmte

- het apparaat moet zo worden geplaatst dat het stevig staat of hangt op een vuurbestendige ondergrond
Op of naast het apparaat mogen zich geen brandbare voorwerpen bevinden binnen de veilige afstand die voor het apparaat is vastgesteld (de kleinste afstand tot brandbare materialen bedraagt 10 cm).

Tabel: De mate van brandbaarheid van bouwmaterialen (ČSN 730823) weergegeven per substantie en product

Mate van brandbaarheid	Bouwmaterialen
A – niet brandbaar	Graniet, zandsteen, beton, baksteen, keramische bekleding, pleisterwerk
B – heel moeilijk brandbaar	Acuminiet, heracliet, lihnos, itaver
C1 – moeilijk brandbaar	Hout, loofhout, fineer, sirkoklit, verstevigd papier, umakart
C2 – gemiddeld brandbaar	Spaanplaat, solodur, kurkplaat, harde rubber, vloerbedekking
C3 – zeer brandbaar	Vezelplaat, polystyreen, polyurethaan, PVC

- Informatie over mate van brandbaarheid van gewone bouwmaterialen staan in de tabel hieronder. Installeer het apparaat op veilige wijze. Neem bij de installatie de voorschriften voor ontwerp, veiligheid en arbeidshygiëne in acht overeenkomstig:
 - ČSN 06 1008 brandveiligheid van lokale apparaten en warmtebronnen
 - ČSN 33 2000-4-482 brandbeveiliging in gebieden met een speciaal risico of gevaar
 - ČSN 33 2000-4-42 bescherming tegen invloeden van warmte

Aansluiting van de elektrische kabel op het elektriciteitsnet

De aansluiting op het elektriciteitsnet - de voedingskabel moet zelfstandig beveiligd worden. Namelijk door de toepassing van een zekering voor nominale stroom, afhankelijk van het aansluitvermogen van het geïnstalleerde apparaat. Controleer het aansluitvermogen van het apparaat op het typeplaatje dat zich op het achterpaneel (of zijkant) van het apparaat bevindt.

De aangesloten aardkabel moet langer zijn dan de andere kabels. Sluit het apparaat direct op het elektriciteitsnet aan. Het is absoluut noodzakelijk om tussen het apparaat en het elektriciteitsnet een schakelaar te monteren die minimaal 3 mm van het enkelvoudige contact is verwijderd en die voldoet aan de geldende normen en belastingen. De aardkabel (geelgroen) mag niet door deze schakelaar worden onderbroken. Als het apparaat bedoeld is voor aansluiting in het stopcontact, sluit dit aan op het elektriciteitsnet als het stopcontact van een overeenkomstige zekering voorzien is.

De voedingskabel moet dusdanig worden bevestigd, dat hij op geen enkel punt warmer kan worden dan 50 °C boven de omgevingstemperatuur. Voordat u het apparaat aansluit op het elektriciteitsnet moet u controleren of:

- de voedingszekering en de stroomverdeler de stroombelasting van het apparaat verdragen (zie het matrixplaatje),
- het distributiepaneel is uitgerust met een aarding volgens de normen (ČSN) en de wettelijke voorschriften
- het stopcontact of de schakelaar in de voeding goed bereikbaar zijn vanaf het apparaat
- elektrische voedingleiding naar het apparaat moet gemaakt zijn van oliebestendig materiaal

We zijn niet aansprakelijk wanneer deze normen en de bovengenoemde principes niet in acht worden genomen.

Maak voor het eerste gebruik het apparaat schoon, zie het hoofdstuk „Reiniging en onderhoud“. Het apparaat moet geaard worden met behulp van de schroef met een aardingsmarkering.

- Dit label geeft het aardingspunt van het apparaat aan
- Steek de stekker van de voedingskabel niet in het stopcontact en trek ze niet uit het stopcontact met natte handen en door aan de voedingskabel te trekken!
- Gebruik geen verlengsnoeren of blok contactdozen.
- Het aansluitpunt van het net moet maximaal de ondervermelde impedantie Z_{MAX} conform ČSN EN 61000-3-11:2001 hebben. $Z_{MAX} = 0,042 + j 0,026 \Omega$ voor fasegeleiders en $0,028 + j 0,017 \Omega$ voor nulgeleider



- Dit label geeft het risico van een elektrische schok aan

GEBRUIKSAANWIJZING

Opgelet! Voordat u het apparaat gebruikt, moet u de beschermende folie van het gehele oppervlak verwijderen, het vervolgens goed met water en afwasmiddel wassen en daarna met een vochtige doek afnemen.

IN GEVAL VAN LANGDURIGE OPSLAG VAN HET KDA APPARAAT OF ALS U HET ENKELE DAGEN NIET GEBRUIKT, MOET U NA DE INSCHAKELING (VOORDAT U HET APPARAAT IN BEDRIJF STELT) DE ARM VAN KDA HANDMATIG HERHAALDELIJK OPTILLEN EN SLUITEN OM DE CORRECTE FUNCTIE VAN DE ARM TE ACTIVEREN.

Vetopvanglade.

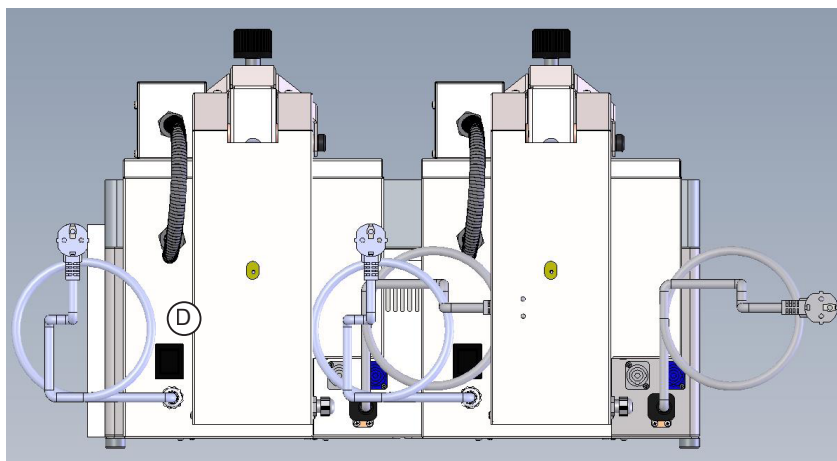
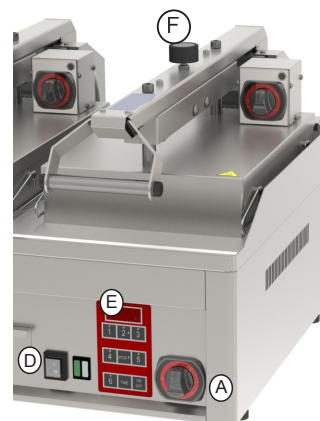
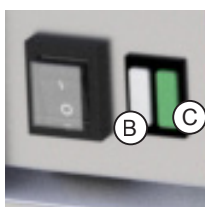
De vetopvanglade moet regelmatig gecontroleerd en op tijd geleegd worden. De waterbak moet na elke uitschakeling van het apparaat schoongemaakt worden.

De apparaten met een kookplaat dat in twee helften verdeeld is, kunnen op verschillende temperaturen op beide helften van de kookplaten ingesteld worden, of er kan slechts één helft gebruikt worden.

Schakel het apparaat met de hoofdschakelaar (D) in, het controlelampje (C) geeft de inschakeling van het apparaat aan. Draai de knop (A) en stel het gewenste vermogen in. De controlelampjes (B) en (C) branden. Het controlelampje (C) brandt als het apparaat onder stroom staat. Het controlelampje (B) brandt als de warmtespiralen in werking zijn. Het controlelampje (B) gaat uit als het apparaat de ingestelde temperatuur heeft bereikt. Schakel de timer (E) in door op de ON/OFF-knop te drukken. Selecteer daarna een van de vijf voorgeprogrammeerde programma's en sluit de clam, die in de laagste stand vergrendelt. Er klinkt een alarm nadat de vooraf ingestelde tijd is verstreken en de clam wordt automatisch geopend. Het alarm kan uitgeschakeld worden door op STOP te drukken. Het lopende programma kan voortijdig worden uitgeschakeld door het handvat van de clam naar boven te bewegen. De clam gaat open en het programma wordt onderbroken. Als de clam opnieuw gesloten wordt, dan start het onderbroken programma vanaf het begin. Schakel het apparaat uit door de knop (A) naar de positie "0" te draaien en daarna de hoofdschakelaar (D) uit

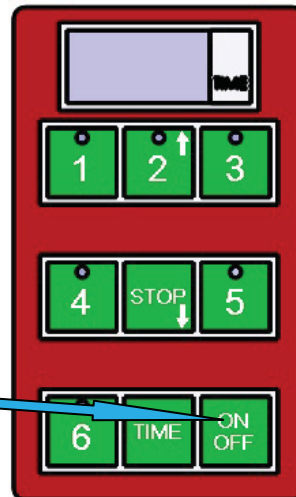
te schakelen. Gebruik het apparaat uitsluitend onder toezicht.

- A – Bedieningsknop
- B – Controlelampje verwarming
- C – Controlelampje inschakeling
- D – Hoofdschakelaar
- E – Digitale timer
- F – Hoogte-instelling van de bovenste plaat



1) In-/uitschakeling

Gebruik deze knop



2) Voor het starten van de vooringestelde tijd
De timer heeft 5 vooringestelde tijdsintervallen.
Deze intervallen kunnen gestart worden door op de 1-5 knoppen te drukken, waar de knop:

Manufacturer's settings

PROGRAM NUMBER TIME

Programma 1 (knop 1) 1 min.

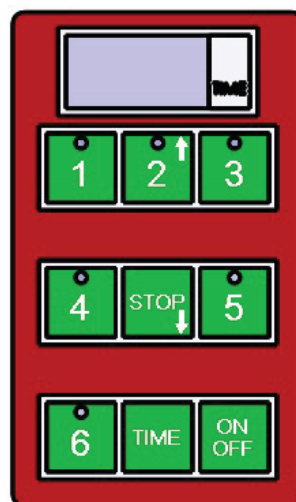
Programma 2 (knop 2) 1:30 min.

Programma 3 (knop 3) 2 min.

Programma 4 (knop 4) 2:30 min.

Programma 5 (knop 5) 3 min.

Programma 6 (knop 6) Door gebruiker te programmeren



Voor het programmeren van de cyclus in optie 6 (knop 6) moeten volgende instructies gevolgd worden:

1. Controleer of het display van het bedieningspaneel 3 streepjes “---” weergeeft.
2. Druk op de knop aangeduid als “TIME”.
3. Gebruik de omhoog pijlknop (knop 2) en de omlaag pijlknop (STOP-knop) om de tijd die op het display weergegeven wordt te wijzigen (na 30 seconden).
4. De geselecteerde tijd op de timer knippert.
5. Druk op de “TIME”-knop en houd deze ingedrukt om de geselecteerde tijd op te slaan.
6. Druk op de toets “6” om de grillcyclus te starten.

De programmeerbare knop werkt cyclisch - d.w.z. dat als u de gewenste tijd heeft ingesteld en u het programma 6 start, is het voor opnieuw starten van dit programma voldoende als u de clam sluit en de tijd zal automatisch starten.

Aan het einde van de voorgeprogrammeerde tijd geeft de timer een geluidssignaal af. Deze toon wordt na één minuut automatisch uitgeschakeld of kan door de operator uitgeschakeld worden door op de STOP-knop te drukken. Terwijl de timer het einde van het proces aangeeft, knippert de rode knop op het toetsenbord die de onderbreking van het voorgeprogrammeerde programma aangeeft. Het lopende programma kunt u onderbreken door op de STOP-knop te drukken.

REINIGING EN ONDERHOUD

Het apparaat moet ten minste 2x per jaar door een gespecialiseerde service gecontroleerd worden. Alle ingrepen aan het apparaat mogen slechts door een gekwalificeerd persoon worden uitgevoerd, die daartoe bevoegd is.

OPGELET! Het apparaat mag niet schoongemaakt worden met een directe waterstraal of met een hogedrukreiniger. Maak het apparaat elke dag schoon. Dankzij het dagelijks onderhoud bent u verzekerd van een lange levensduur en de efficiëntie van het apparaat. Controleer voordat u begint met schoonmaken of het apparaat is losgekoppeld van het elektriciteitsnet. Onderbreek altijd de stroomvoorziening van het apparaat. Maak de elementen van roestvrijstaal schoon met een vochtige doek en een klein beetje schoonmaakmiddel zonder schurende deeltjes en droog met een doek. Gebruik geen schurende of corrosieve schoonmaakmiddelen.

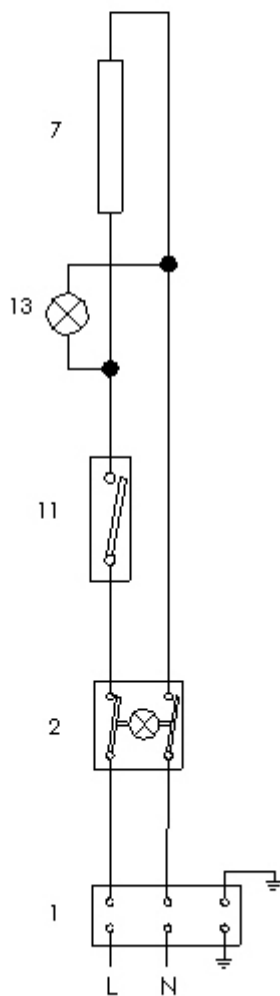
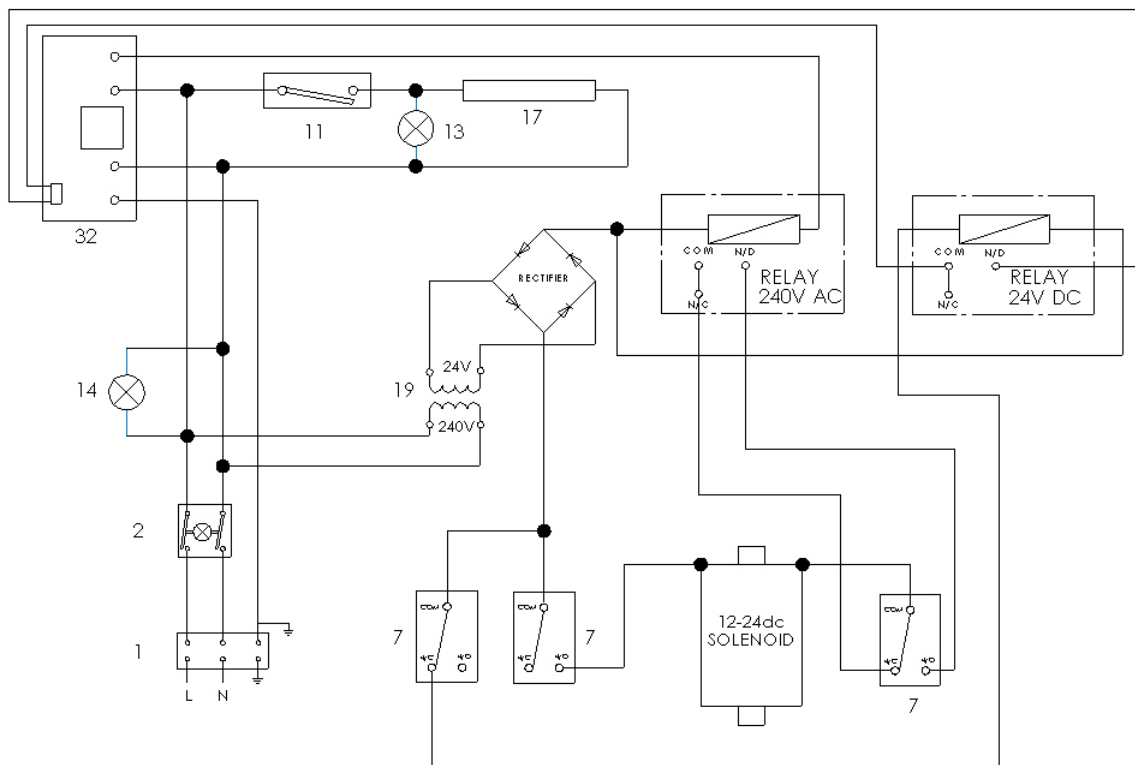
Opgelet! Voordat u het apparaat gebruikt, moet u de beschermende folie van het gehele oppervlak verwijderen, het vervolgens goed met water en schoonmaakmiddel wassen en daarna met een vochtige doek afnemen.

Maatregelen bij storingen Onderbreek de stroom-/gasvoorziening en neem contact op met de serviceafdeling van de verkoper.

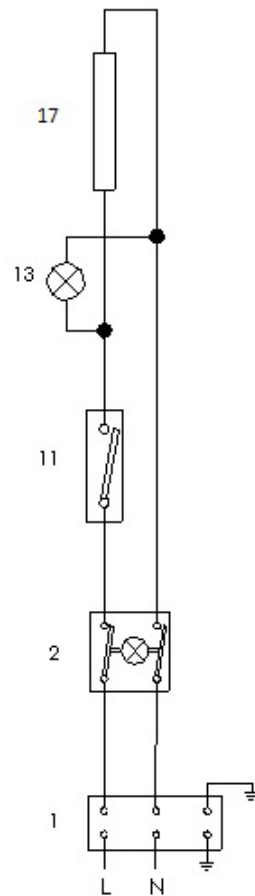
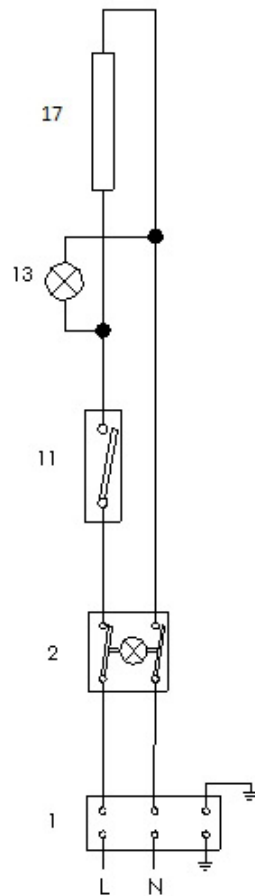
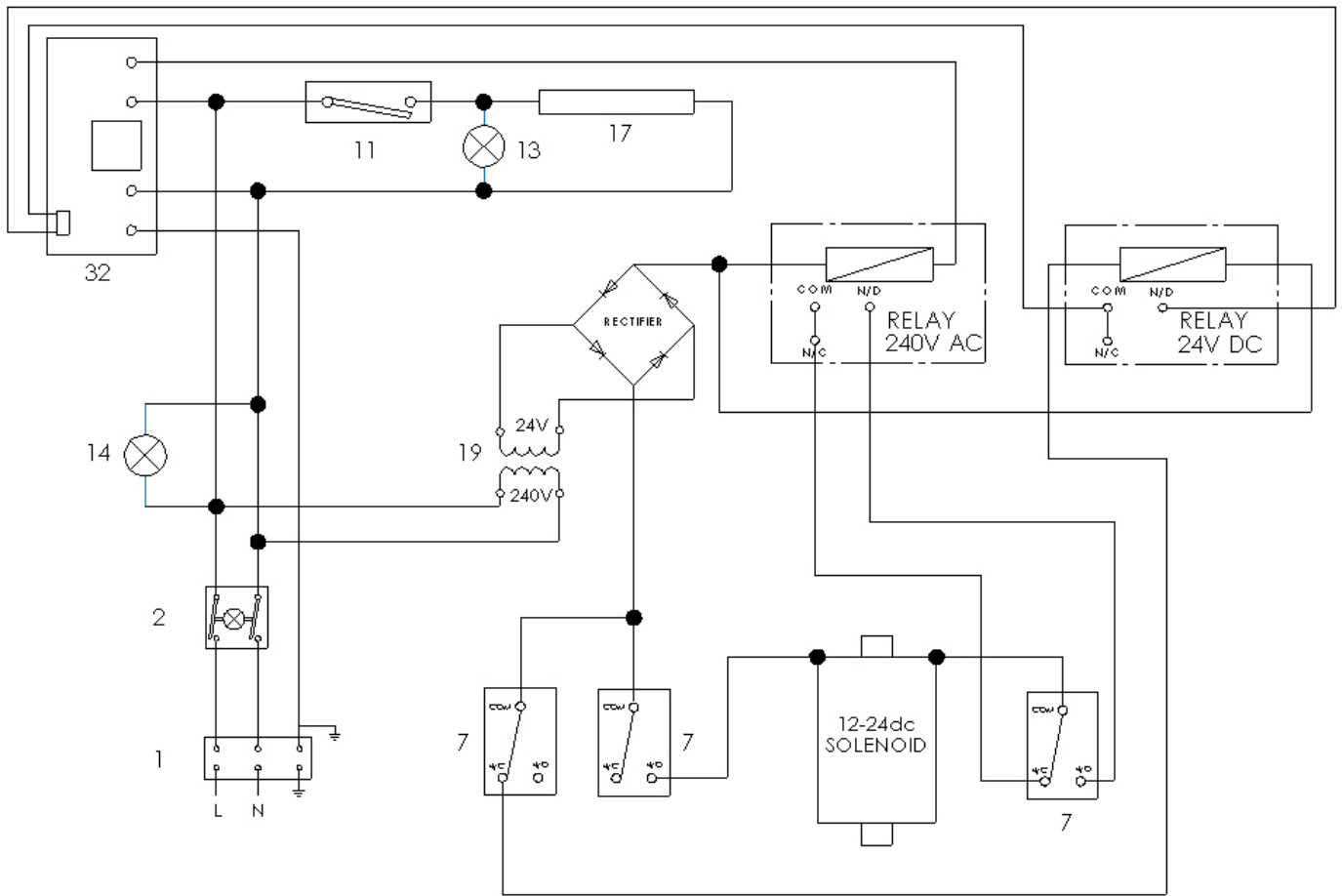
De garantie dekt niet alle verbruiksartikelen die onderhevig zijn aan normale slijtage (rubber dichtingen, lampjes, glazen en plastic onderdelen enz.). De garantie strekt zich ook niet uit over apparaten die niet zijn geïnstalleerd door bevoegde personen in overeenstemming met de instructies in de gebruiksaanwijzing en de van toepassing zijnde normen en indien het apparaat onjuist is behandeld (ingrepen in binnenapparatuur enz.) of indien het apparaat bediend is door ongetraind personeel en in de strijd met de gebruiksaanwijzing. Verder dekt de garantie geen schade veroorzaakt door natuurlijke verschijnselen of andere externe invloeden.

De transportverpakkingen en apparaten moeten aan het einde van hun levensduur aan een inzamelplaats overhandigd worden, in overeenstemming met de voorschriften voor afval en gevaarlijk afval beheer.

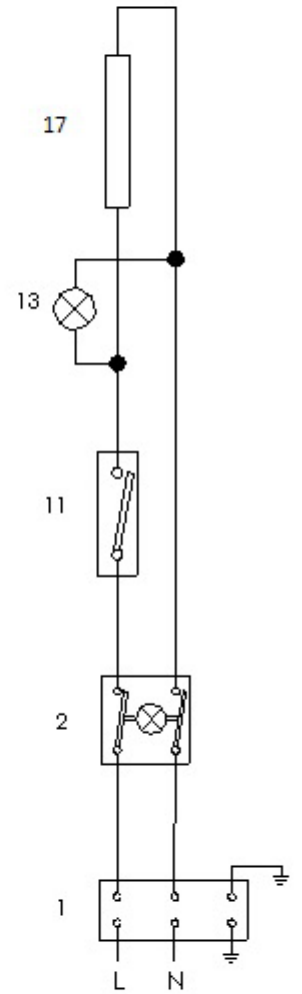
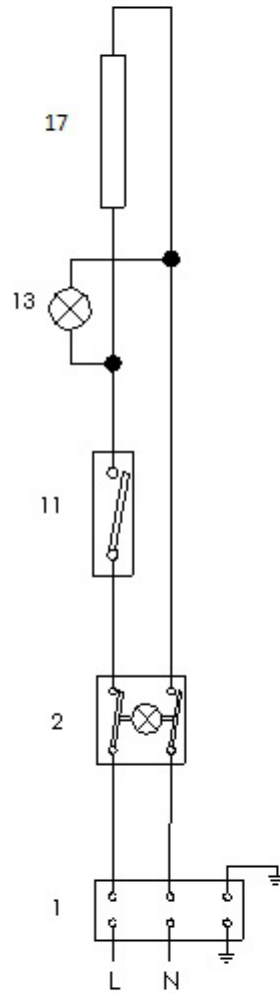
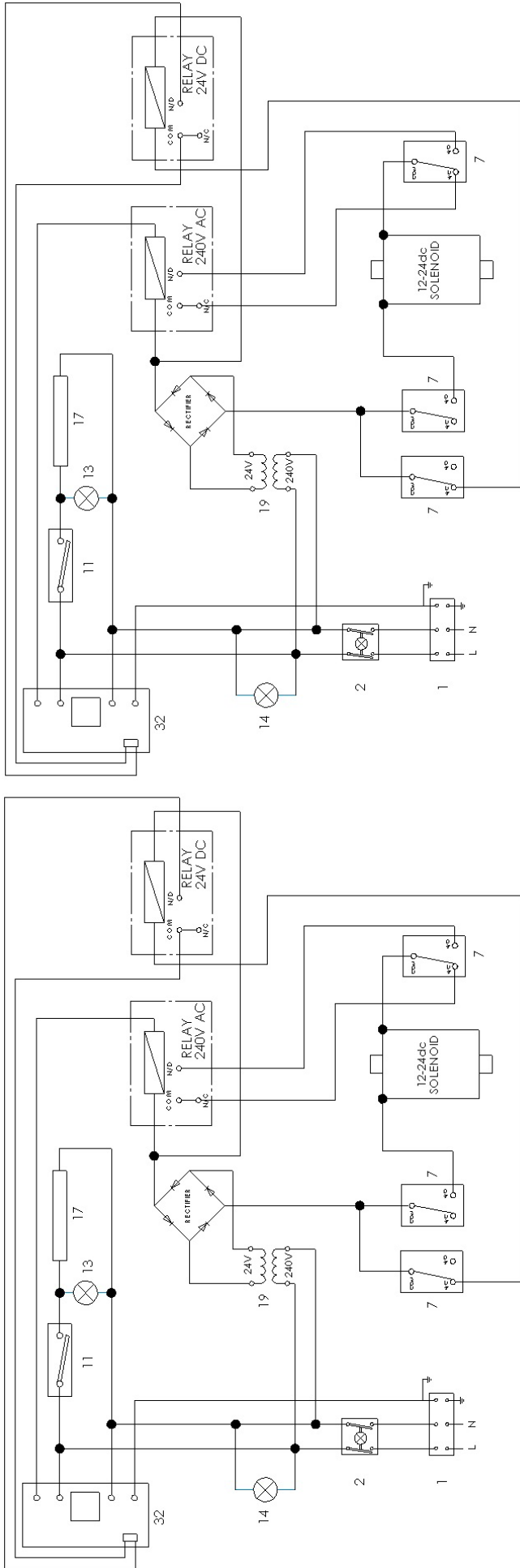
EL. CONNECTION DIAGRAM / SCHALTPLAN / SCHÉMA DU ELECTRIQUE KDA-33 ED



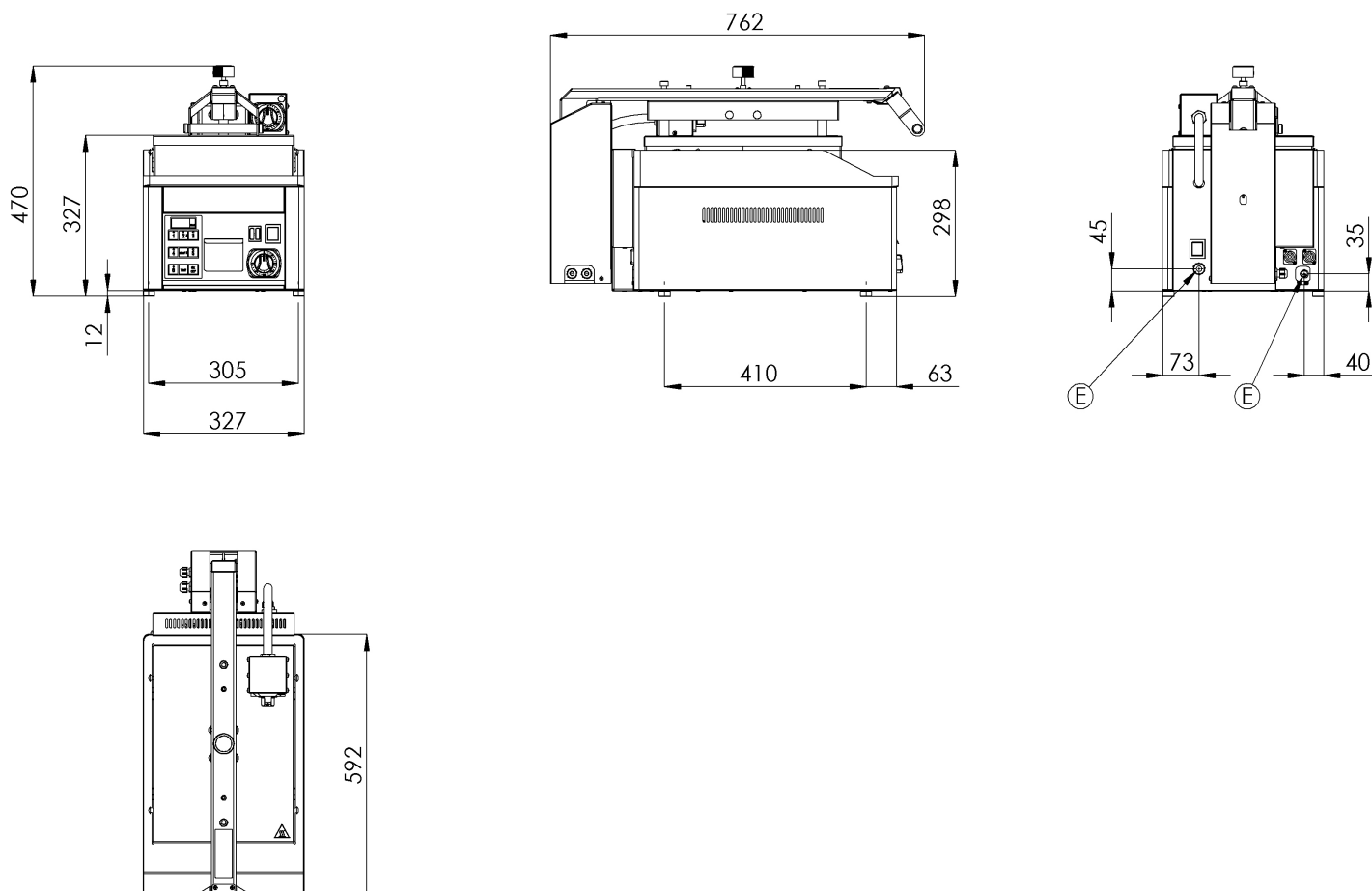
EL. CONNECTION DIAGRAM / SCHALTPLAN / SCHÉMA DU ELECTRIQUE KDA-63 ED



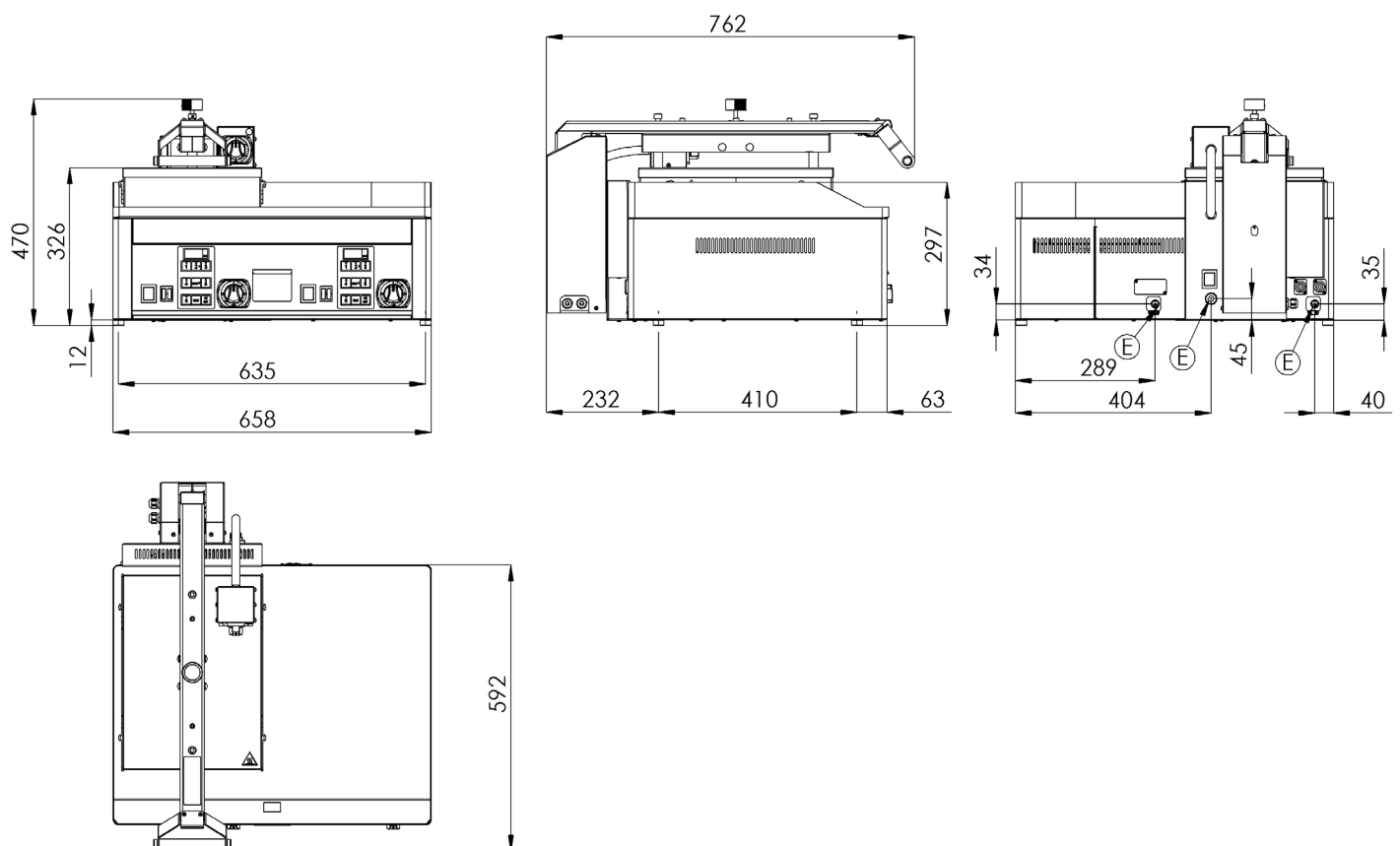
EL. CONNECTION DIAGRAM / SCHALTPLAN / SCHÉMA DU ELECTRIQUE KDA-66 ED



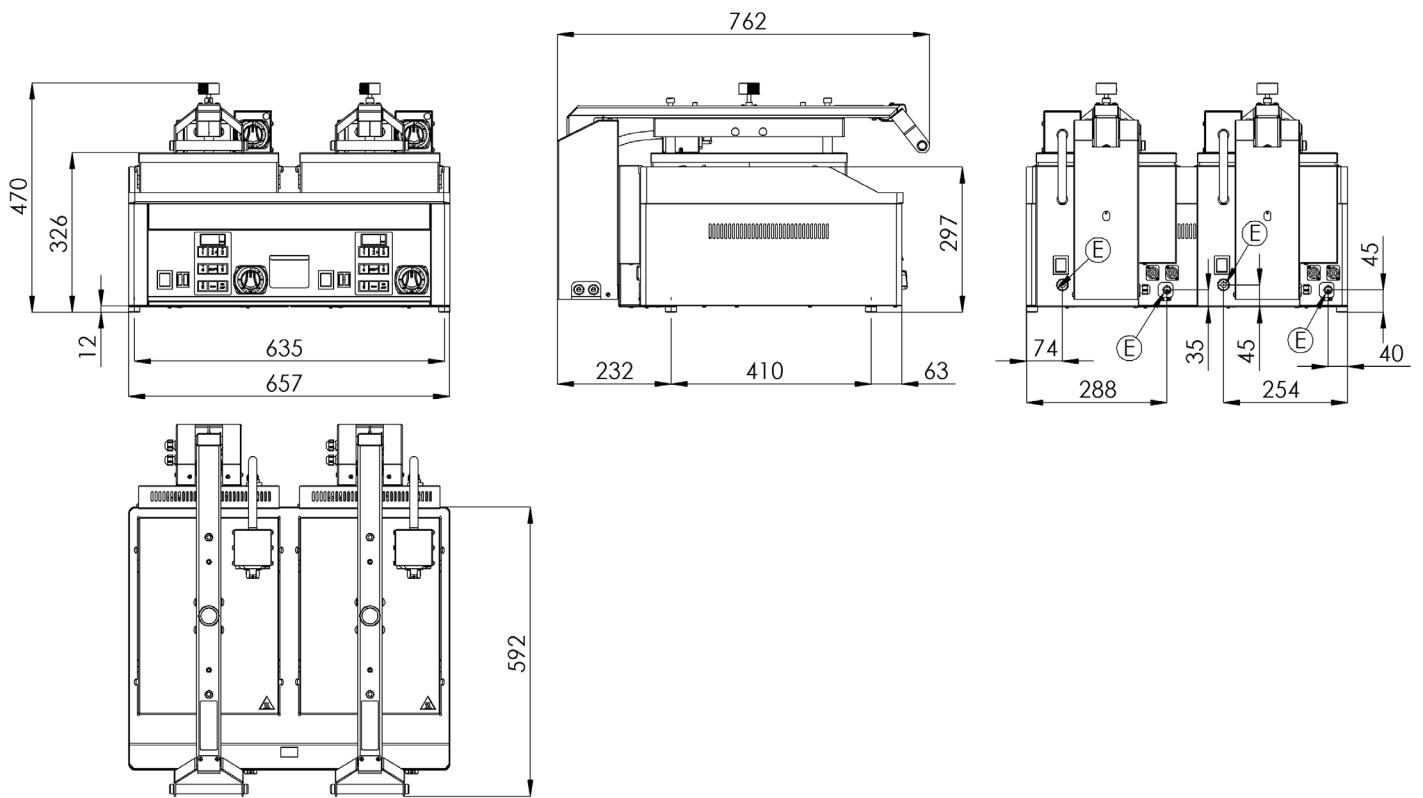
DIMENSIONAL PICTURE, DIMENSIONALES BILD, IMAGE DIMENSIONNELLE -
KDA-33 ED



DIMENSIONAL PICTURE, DIMENSIONALES BILD, IMAGE DIMENSIONNELLE -
KDA-63 ED



DIMENSIONAL PICTURE, DIMENSIONALES BILD, IMAGE DIMENSIONNELLE -
KDA-66 ED





- **Do not lift the contact plate** if the device is not connected to the electric mains and both main device switches are not simultaneously switched on.

- Die Kontaktplatte nicht heben, wenn die Anlage nicht zum Netz angeschlossen ist und gleichzeitig beide Hauptschalter nicht eingeschaltet sind.

- Ne pas soulever la plaque supérieure (extention) avant que l'appareil ne soit connecté au réseau d'électricité et que les deux interrupteurs principaux d'alimentation soient allumés.

- Не поднимайте контактную панель, если устройство подключено к электросети и наряду с этим не включены оба его главных выключателя.

- Nemojte dizati kontaktnu ploču ukoliko uređaj nije priključen na električnu mrežu, te također ako nisu uključena oba glavna prekidača uređaja

- Non sollevare la piastra di contatto se l'impianto non è collegato alla rete elettrica, mentre entrambi gli interruttori principali dell'impianto non sono accessi

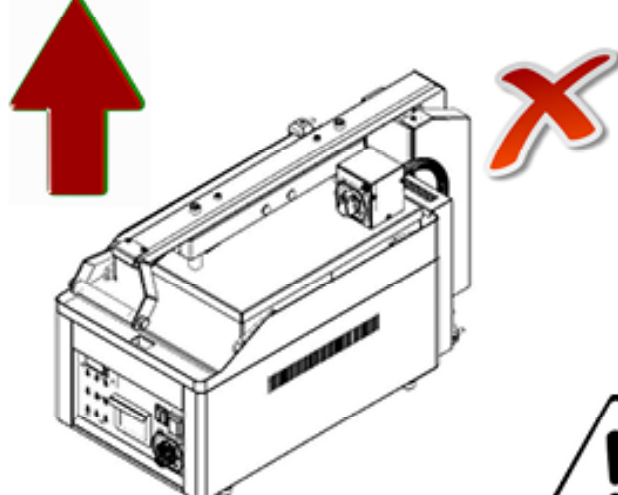
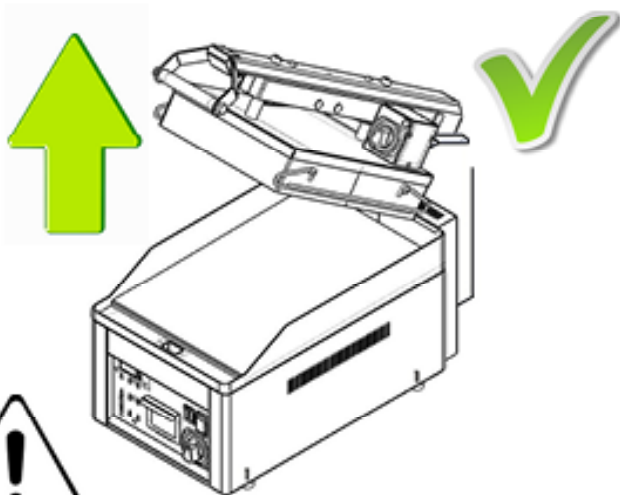
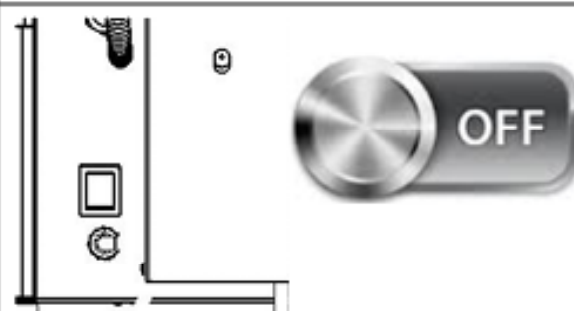
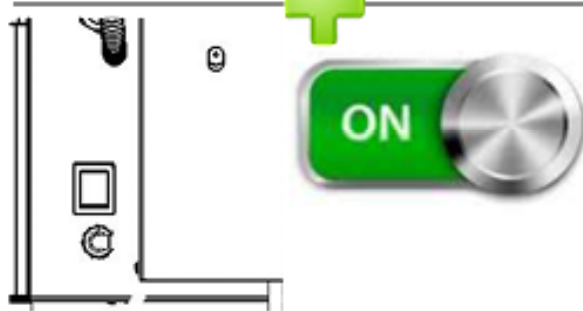
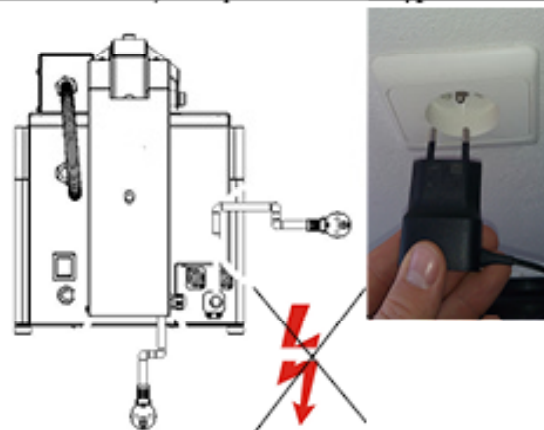
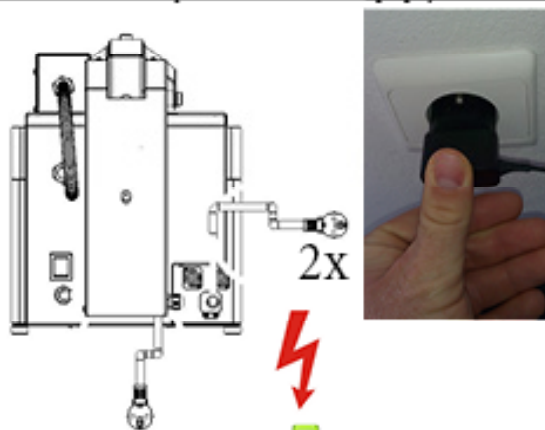
- Ne emelje fel a kontakt lemezt, míg a berendezés nincs a villamos hálózatra kötve és egyidejűleg nincs bekapcsolva a berendezés mindkét főkapcsolója.

- Płyty nie wolno podnosić, jeżeli urządzenie jest podłączone do instalacji elektrycznej i jednocześnie nie są włączone oba wyłączniki główne

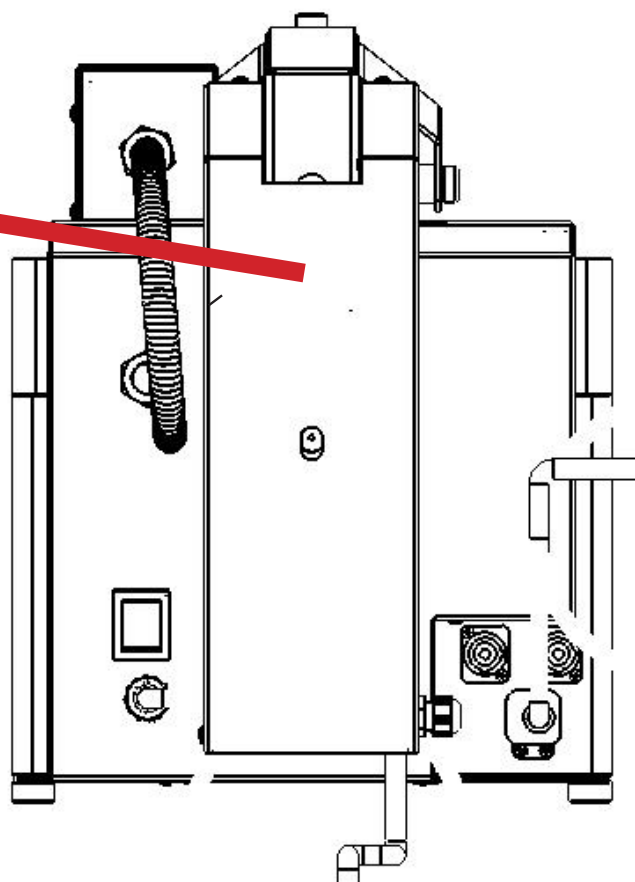
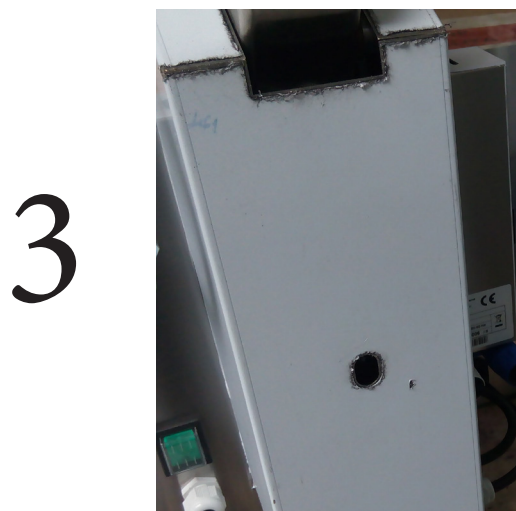
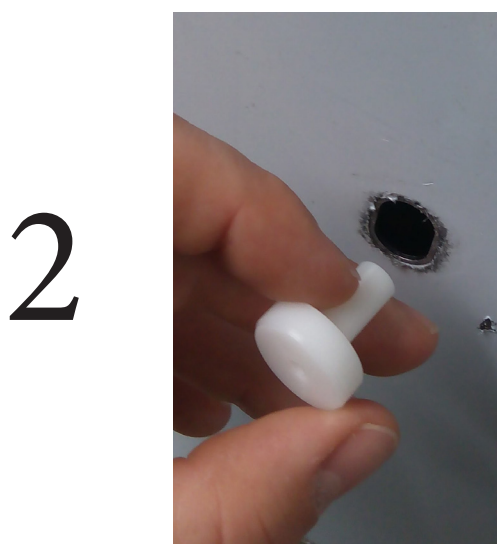
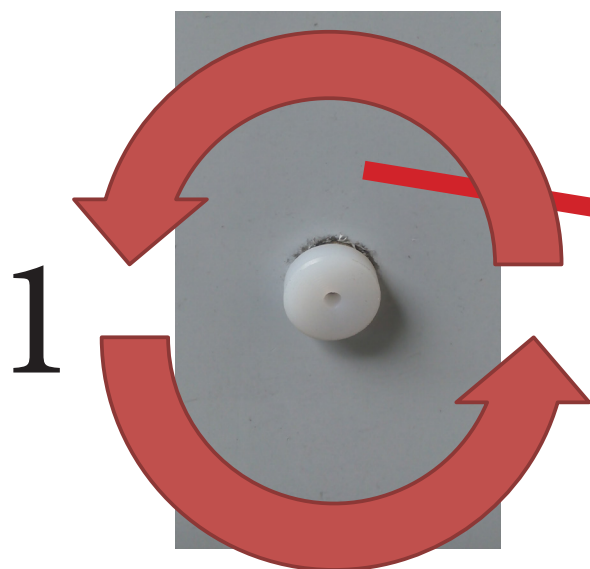
- A nu se ridică placa de contact atâta timp cât instalația nu este conectată la rețeaua electrică și dacă nu sunt concomitent activate ambele întrerupătoare ale instalației.

- Kontaktpladen må ikke løftes såfremt der ikke er anlagt tilsluttet elektrisk net og samtidig når begge anlægs hovedafbrydere er ikke aktiveret.

- Nezvedat kontaktní desku pokud není zařízení připojeno k elektrické síti a zároveň nejsou zapnuté oba hlavní vypínače zařízení



Toto je pouze aretovací přepravní kolík. Před použitím ho prosím vyjměte dle tohoto návodu a následně již nepoužívejte.





OBSAH

PROHLÁŠENÍ O SOULADU S NORMAMI	5
TECHNICKÁ DATA	5
KONTROLA OBALU A ZAŘÍZENÍ	6
UMÍSTĚNÍ	6
BEZPEČNOSTNÍ OPATŘENÍ Z HLEDISKA POŽÁRNÍ OCHRANY PODLE ČSN 061008 ČL. 21	7
INSTALACE	8
NÁVOD K POUŽITÍ	9
ČIŠTĚNÍ A ÚDRŽBA	11
ROZMĚROVÝ OBRÁZEK:	21

PROHLÁŠENÍ O SOULADU S NORMAMI

Výrobce prohlašuje, že přístroje splňují základní požadavky směrnice 2004/108/ES (nařízení vlády č. 616/2006 Sb.) a požadavky směrnice 2006/95/ES (nařízení vlády č. 17/2003 Sb.).

Pozor, výrobce se vzdává jakékoli odpovědnosti v případě přímých i nepřímých poškození, které se vztahují ke špatné instalaci, nesprávným zásahem nebo úpravami, nedostatečnou údržbou, nesprávným používáním, a které jsou eventuálně způsobeny jinými příčinami, jež uvádí body uvedené v podmínkách prodeje. Tento spotřebič je určen pouze pro odborné používání a musí být obsluhován kvalifikovanými osobami. Části, které byly po nastavení zajištěny výrobcem nebo pověřeným pracovníkem, nesmí uživatel přestavovat.

TECHNICKÁ DATA

Žádné další technické údaje nejsou uvedeny.

MODEL	NAPĚTÍ (V)	VÝKON (KW)	PLOTNA (CM)	ROZMĚR VÝROBKU (CM)
KDA-33 ED	230	3	48x32+40x28	33x70,8x44,2
KDA-63 ED	230	6+3	48x65+40x28	66x70,8x44,2
KDA-66 ED	230	6+3+3	48x65+2x40x28	66x70,8x44,2

KONTROLA OBALU A ZAŘÍZENÍ

Zařízení opouští naše sklady v řádném obalu, na kterém jsou odpovídající symboly a označení. V obalu se nachází odpovídající návod k obsluze. Jestliže by obal měl vykazovat špatné zacházení, známky poškození, musí se okamžitě reklamovat u přepravce a to sepsáním a podepsáním protokolu o škodě. Na pozdější reklamace nebude brán zřetel.

Důležité upozornění

Tento návod musí být řádně a pozorně přečten, protože obsahuje důležité informace o bezpečnostních prvcích, instalaci a použití.

- Tato doporučení se vztahují na tento výrobek, nebo produktovou linii.
- Tento návod se musí řádně uschovat pro budoucí použití.
- Zabraňte dětem manipulovat s přístrojem.
- Při prodeji nebo přemístění je nutno se přesvědčit, že obsluha nebo odborný servis se seznámil s ovládáním a instalačními pokyny v příloženém návodu.
- Výrobek smí obsluhovat pouze obsluha, která se seznámila s tímto návodem k použití.
- Nesmí být spuštěn bez dozoru.
- Doporučuje se kontrola odborným servisem minimálně 2x ročně.
- Při eventuální opravě nebo výměně dílů musí být použity originální náhradní díly.
- Výrobek se nesmí čistit proudem vody nebo tlakovou sprchou.
- Při poruše nebo špatném chodu výrobku je nutné odpojit veškeré příklady (voda, elektřina, plyn) a zavolat autorizovaný servis.
- Výrobce se vzdává jakékoli zodpovědnosti při poruchách způsobenými chybnou instalací, nedodržením shora uvedených doporučení, jiným užíváním apod.
- Přístroj se smí používat pouze k účelu, ke kterému je určený, jiné použití je zakázané a může vést ke vzniku nebezpečí či úrazu
- Musí být zajištěno nej přísnější dodržování pravidel protipožární ochrany

UMÍSTĚNÍ

Ke správné činnosti a umístění spotřebiče je nutné dodržet následující směrnice dle norem TPG G 704 01, ČSN 127040 a ČSN 127010.

Rozbalte přístroj a zkontrolujte, zda se přístroj nepoškodil během přepravy. Umístěte přístroj na vodorovnou plochu (maximální nerovnost do 2°). Drobné nerovnosti lze vyrovnat regulovatelnými nožičkami.

Jestliže zařízení bude umístěno tak, že bude v kontaktu se stěnami nábytku, tyto musí odolávat teplotě až 60°C. Instalaci, seřízení, uvedení do provozu musí provést kvalifikovaná osoba, která má k takovýmto úkonům oprávnění a to dle platných norem.

Přístroj může být instalován samostatně nebo v sérii s přístroji naší výroby. Je nutno dodržovat minimální vzdálenost 10 cm od hořlavých materiálů. V tomto případě je nutné zabezpečit odpovídající úpravy, aby byla zabezpečena tepelná izolace hořlavých částí.

Spotřebič se musí instalovat pouze na nehořlavém povrchu nebo u nehořlavé stěny.

Nejmenší požadovaný průtok vzduchu z venkovního prostoru pro spotřebiče v provedení A je v rozmezí 5-20 m³/h, dle typu spotřebiče. Záleží na instalačních předpisech pro danou zemi určení.

Součásti spotřebiče zajištěné výrobcem, nebo jeho zástupcem nesmí pracovník provádějící instalaci výrobku přestavovat.

BEZPEČNOSTNÍ OPATŘENÍ Z HLEDISKA POŽÁRNÍ OCHRANY PODLE ČSN 061008 ČL. 21

- obsluhu spotřebiče smí provádět pouze dospělé osoby
- spotřebič smí být bezpečně používán v souladu s normami:
ČSN 33 2000-4-482: Ochrana proti požáru v prostorách se zvláštním rizikem nebo nebezpečím
ČSN 33 2000-4-42: Ochrana před účinky tepla

- spotřebič je nutné umístit tak, aby stál nebo visel pevně na nehořlavém podkladu

Na spotřebič a do vzdálenosti menší než bezpečná vzdálenost od něho nesmějí být kladeny předměty z hořlavých hmot (nejmenší vzdálenost spotřebiče od hořlavých hmot je 10 cm).

Tabulka: stupeň hořlavosti stavební hmoty zařazené do st. hořlavosti (ČSN 730823) hmot a výrobků

Stupeň hořlavosti	Stavební hmoty
A - nehořlavé	žula, pískovec, betony, cihly, keramické obkladačky, omítky
B - nesnadno hořlavé	akumin, heraklit, lihnos, itaver
C1 - těžce hořlavé	dřevo, listnaté, překližky sirkoklit, tvrzený papír, umakart
C2 - středně hořlavé	dřevotřískové desky, solodur, korkové desky, pryž, podlahoviny
C3 - lehce hořlavé	dřevovláknité desky, polystyrén, polyureten, PVC

• informace o stupni hořlavosti běžných stavebních hmot uvádí tabulka níže. Spotřebiče musí být instalovány bezpečným způsobem. Při instalaci musí být dále respektovány příslušné projektové, bezpečnostní a hygienické předpisy dle:

- ČSN 06 1008 požární bezpečnost lokálních spotřebičů a zdrojů tepla
- ČSN 33 2000-4-482 ochrana proti požáru v prostorách se zvláštním rizikem nebo nebezpečím
- ČSN 33 2000-4-42 ochrana před účinky tepla

INSTALACE

Důležité:

Výrobce neposkytuje žádnou záruku na závady, vzniklé v důsledku nesprávného používání, nedodržování instrukcí obsažených v příloženém návodu k použití a špatným zacházením se spotřebiči.

Instalaci, úpravy a opravy spotřebičů pro velkokuchyně, tak jako i jejich demontáž z důvodu možného poškození přívodu plynu, mohou být prováděny pouze na základě smlouvy o údržbě, tato smlouva může být uzavřena s autorizovaným prodejcem, přičemž musí být dodržovány technické předpisy a normy a předpisy týkající se instalace, elektrického přívodu, plynové přípojky a bezpečnosti práce.

Technické instrukce pro instalaci a seřízení, k použití POUZE pro specializované techniky.

Instrukce, které následují, se obrací k technikovi kvalifikovanému pro instalaci, aby provedl všechny operace způsobem co nejkorektnějším a podle platných norem.

Jakákoli činnost spojená s regulací apod. musí být vykonána pouze se zařízením odpojeným ze sítě. Je - li nutno udržovat spotřebič pod napětím je nutno dbát nejvyšší opatrnosti.

Typ spotřebiče pro provedení odtahu je deklarován na typovém štítku, jedná se o spotřebiče typu A1.

PŘIPOJENÍ ELEKTRICKÉHO KABELU DO SÍTĚ

Instalace elektrického přívodu - tento přívod musí být samostatně jištěn. A to odpovídajícím jističem jmenovitého proudu v závislosti na příkonu instalovaného přístroje. Příkon přístroje zkontrolujte na výrobním štítku na zadním panelu (či boku) přístroje.

Připojený zemnicí vodič musí být delší než ostatní vodiče. Přístroj připojte přímo na síť, je nezbytné vložit mezi spotřebič a síť vypínač s minimální vzdáleností 3mm mezi jednotlivými kontakty, který odpovídá platným normám a zatížením. Přívod uzemnění (žlutozelený) nesmí tímto spínačem být přerušen. Přístroj určený pro připojení do zásuvky, připojte do sítě pokud má zásuvka odpovídající jištění.

V každém případě přívodní kabel musí být umístěn tak, že v žádném bodě nedosáhne teploty o 50 stupňů vyšší než prostředí. Než bude spotřebič připojen do sítě, je nutné se nejprve ujistit, že:

- přívodní jistič a vnitřní rozvod snesou proudové zatížení spotřebiče (viz štítek matrice)
- rozvod je vybaven účinným uzeměním podle norem (ČSN) a podmínek daných zákonem
- zásuvka nebo vypínač v přívodu jsou dobře přístupné od spotřebiče
- elektrický přívod do zařízení musí být z olejovzdorného materiálu

Vzdáváme se jakékoli zodpovědnosti v případě, že tyto normy nebudou respektovány a v případě porušení výše uvedených zásad.

Před prvním použitím musíte přístroj vyčistit viz. kapitola „čištění a údržba“. Spotřebič musí být uzemněn pomocí šroubu se značkou uzemnění.



- Tato etiketa označuje uzemňovací bod zařízení

Pozor! Než-li začnete přístroj používat, je nutné z celého povrchu sejmout ochranné fólie, a pak jej dobře omýt vodou se saponátem na nádobí, a poté otřít vlhkým hadrem.

V PŘÍPADĚ DLOUHODOBÉHO USKLADNĚNÍ ZAŘÍZENÍ KDA, NEBO K JEHO NĚKOLIKA DENNÍMU ODSTAVENÍ, JE NUTNÉ PO ZAPNUTÍ (PŘED UVEDENÍM DO BEŽNÉHO PROVOZU) RAMENO KDA OPAKOVANĚ RUCNĚ ZDVIHNOUT A ZAVŘÍT, ABY DOŠLO K ZNOVU AKTIVOVÁNÍ SPRÁVNĚ FUNKCE RAMENE.

Nádoba na sběr tuku.

Nádobu je třeba kontrolovat pravidelně a zavčas ji vyprázdnit. Nádobu musíte vyčistit po každém vypnutí spotřebiče.

Přístroje, které mají varnou plochu rozdělenou na dvě poloviny je možné nastavit na různé teploty na obou polovinách plotny nebo můžete použít jenom jednu polovinu.

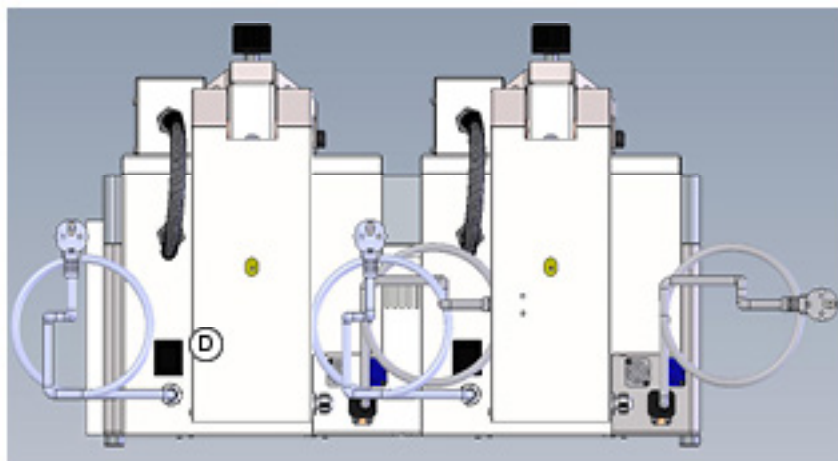
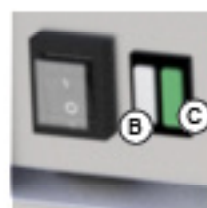
Zapněte hlavním vypínačem (D), kontrolka (C) indikuje zapnutí přístroje. Otočte ovladačem (A) a nastavte na vámi požadovaný výkon. Kontrolky (B) a (C) budou svítit. Kontrolka (C) svítí, když je přístroj pod el. proudem. Kontrolka (B) svítí, pokud jsou v chodu tepelné spirály. Kontrolka (B) zhasne, až je přístroj vyhřátý na nastavenou teplotu. (E) Časovač zapneme stiskem tlačítka ON/OFF. Pak vybereme jeden z pěti předvolených programů a zavřeme clam. Ve spodní poloze se uzamkne. Po skončení času se ozve alarm a clam se sám otevře. Alarm lze vypnout stiskem tlačítka STOP. Probíhající program lze přerušit předčasně posunutím rukojeti clamu směrem nahoru. Clam se otevře a program se přeruší. Po opětovném zavření clamu se přerušovaný program spustí od začátku. Přístroj vypnete, když otočíte ovladačem (A) do polohy „0“ a vypnete hlavním vypínačem (D). Používejte přístroj pouze pod dohledem.

Nastavení výšky vrchní plotny

POPIS OVLÁDÁNÍ

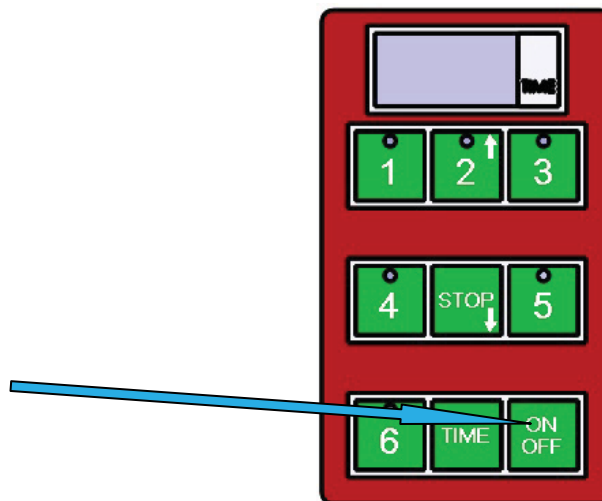


- (A) Ovládací knoflík
- (B) Kontrolka vyhřátí
- (C) Kontrolka zapnutí
- (D) Hlavní vypínač
- (E) Digitální časovač
- (F) Nastavení výšky horní plotny



1) zapnutí/vypnutí

Použijte toto tlačítko

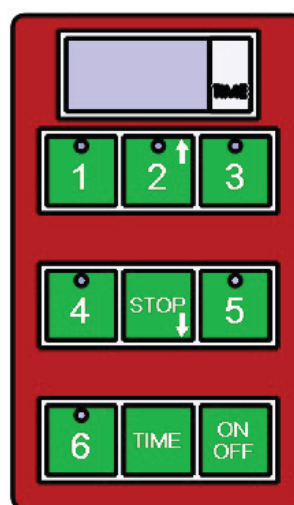


2) Pro start přednastaveného času

Časovač má 5 přednastavených časových intervalů. Tyto intervaly spustíte zmáčknutím tlačítka 1-5, kde tlačítko:

Nastavení z výroby

ČÍSLO PROGRAMU	ČAS
Program 1 (Tlačítko 1)	1 min.
Program 2 (Tlačítko 2)	1:30 min.
Program 3 (Tlačítko 3)	2 min.
Program 4 (Tlačítko 4)	2:30 min.
Program 5 (Tlačítko 5)	3 min.
Program 6 (Tlačítko 6)	Uživatelsky programovatelné



K programování cyklu v možnosti 6 (tlačítko 6) je nutné dodržovat následující pokyny

1. Zkontrolujte, zda displej ovládacího panelu zobrazuje 3 pomlčky „---“
2. Stiskněte tlačítko označené „TIME“
3. Pomocí tlačítka s šipkou nahoru (tlačítko 2) a tlačítka s šipkou dolů (tlačítko STOP) měňte čas zobrazený na displeji (po 30 vteřinách).
4. Zvolená doba na časovači bude blikat.
5. Stiskněte a podržte tlačítko označené „TIME“, aby se zvolená doba uložila.
6. Stiskněte tlačítko „6“, čímž zahájíte cyklus grilování.

Programovatelné tlačítko funguje cyklickým způsobem - tzn. když jednou nastavíte požadovaný čas a spustíte program 6, pro další spuštění tohoto programu stačí zavřít clam a čas se automaticky spustí.

Na konci přednastaveného času, časovač upozorní zvukovým signálem. Tento tón se sám vypne po jedné minutě, nebo může být vypnut obsluhou stisknutím tlačítka STOP.

Zatímco časovač upozorňuje na konec procesu na klávesnici bliká červené tlačítko

přerušení přednastaveného programu

Můžete přerušit právě probíhající program stisknutím tlačítka STOP.

ČIŠTENÍ A ÚDRŽBA

POZOR! Zařízení se nesmí čistit přímou nebo tlakovou vodou. Čistěte zařízení denně. Denní údržba prodlužuje životnost a účinnost zařízení. Před započetím čištění se přesvědčte, jestli jste odpojili zařízení od elektrického proudu. Vždy vypněte hlavní přívod k zařízení. Nerezové části omyjte vlhkým hadrem se saponátem bez hrubých částic, vytřete do sucha. Nepoužívejte abrasivní nebo korosivní čisticí prostředky. Všechny zbytky jídla musí být z pracovní plochy odstraněny, můžete použít špachtli. Po každém čištění zařízení musíte potřít grilovací plochy rostlinným olejem.

JAK POSTUPOVAT V PŘÍPADĚ PORUCHY

Vypněte elektrický, plynový přívod a zavolejte servisní organizaci prodejce.

!!! PO KAŽDÉM POUŽÍTÍ NATŘÍT PLOTNU STOLNÍM OLEJEM !!!

UPOZORNĚNÍ

Záruka se navztahuje na všechny spotřební díly podléhající běžnému opotřebení (gumová těsnění, žárovky, skleněné a plastové díly atd.). Záruka se též nevztahuje na zařízení pokud není provedena instalace v souladu s návodem – oprávněným pracovníkem dle odpovídajících norem a pokud bylo se zařízením neodborně manipulováno (zásahy do vnitřního zařízení atd.) nebo bylo obsluhováno nezaškoleným personálem a v rozporu s návodem k použití, dále se záruka nevztahuje na poškození přírodními vlivy či jiným vnějším zásahem.

Přepravní obaly a zařízení po ukončení životnosti odevzdejte do sběru, dle předpisů o nakládání s odpadem a nebezpečným odpadem.

OŚWIADCZENIE ZGODNOŚCI Z NORMAMI

Producent oświadcza, że urządzenia są wykonane według polskich norm i przepisów Unii Europejskiej. Montaż musi być przeprowadzony zgodnie z obowiązującymi normami, zwłaszcza w kwestii odpowiedniego wietrzenia pomieszczeń i systemu odprowadzenia spalin.

Uwaga!

Producent nie odpowiada za szkody wynikłe pośrednio lub bezpośrednio przez: złą instalację, niewłaściwą obsługę lub przeróbki, niedostateczną konserwację lub inne przyczyny niezgodne z punktami warunków sprzedaży. Urządzenie to przeznaczone jest do profesjonalnego użytkowania i musi być obsługiwane osobami o odpowiedniej kwalifikacji. Części, które były po nastawieniu zabezpieczone przez producenta lub pracownika serwisu nie mogą być zmieniane.

DANE TECHNICZNE

Tabliczka znamionowa znajduje się na tylnej części obudowy urządzenia. Przed instalacją zaleca się zapoznanie z instrukcją obsługi i wszystkimi niżej umieszczonymi informacjami.

TYP	Napięcie (V)	Moc (KW)	Wymiar pow. roboczej (CM)	WYMIAR (CM)
KDA-33 ED	230	3	48x32+40x28	33x70,8x44,2
KDA-63 ED	230	6+3	48x65+40x28	66x70,8x44,2
KDA-66 ED	230	6+3+3	48x65+2x40x28	66x70,8x44,2

KONTROLA OPAKOWANIA I URZĄDZENIA

Urządzenie opuszcza zakłady odpowiednio zapakowane, właściwie oznakowane ietykietowane. Posiada również instrukcję obsługi. W przypadku, kiedy opakowanie nosioznaki niewłaściwego traktowania lub uszkodzenia, należy bezzwłocznie zgłosić ten fakt na piśmie u przewoźnika i podpisać protokół szkody.

Ważne

Niniejsza instrukcja powinna być przeczytana z uwagą, ponieważ zawiera ważne informacje bezpieczeństwa, montażu oraz obsługi.

- należy uważnie zapoznać się z niniejszą instrukcją obsługi, ponieważ zawiera ona ważne informacje dotyczące elementów bezpieczeństwa, montażu i użytkowania
- podane zalecenia odnoszą się do opisanego produktu
- niniejszy produkt jest zgodny z obowiązującymi normami
- instrukcję należy zachować do przyszłego użytku
- produkt powinien znajdować się poza zasięgiem dzieci
- w razie sprzedaży lub przeniesienia produktu w inne miejsce, należy upewnić się, że personel obsługi oraz serwisanci zapoznali się z zaleceniami dotyczącymi obsługi i instalacji podanymi w załączonej instrukcji
- urządzenia mogą obsługiwać tylko upoważnione do tego osoby
- nie należy pozostawiać włączonego urządzenia bez nadzoru
- zalecamy, aby produkt był sprawdzany przez profesjonalny serwis przynajmniej raz w roku
- w razie napraw, należy używać wyłącznie oryginalnych części zamiennych
- produktu nie należy czyścić strumieniami wody lub ciśnieniowo
- w razie uszkodzenia lub awarii, należy odłączyć wszystkie przewody zasilające (wodne, gazowe, elektryczne) i wezwać fachowy serwis
- producent nie bierze odpowiedzialności za szkody powstałe z powodu niewłaściwego montażu, nieprzestrzegania powyższych zaleceń, użytkowania niezgodnego z przeznaczeniem, itp.

INFORMACJA O INSTALACJI, UMIEJSCOWIENIE

Do regulacji i instalacji urządzenia jest konieczne, by pomieszczenie - kuchnia - było odpowiednio wietrzane (wg istniejących norm). Jeżeli urządzenie będzie umieszczone tak, że będzie stykać się ze ścianą pomieszczenia (kuchni), musi być ściana odporna na temperaturę powyżej 60°C.

Ważne jest by po odpakowaniu urządzenia, skontrolować czy urządzenie nie zostało uszkodzone w czasie transportu. Urządzenie umieścić na poziomej powierzchni (z max nierównościami do 2°). Drobne nierówności można wyrównać za pomocą nóżek.

Urządzenie może być instalowane oddzielnie lub w serii z innymi urządzeniami naszej produkcji. Jest ważne utrzymać odległość 10 cm od materiałów łatwopalnych. W takim przypadku ważne jest dodatkowe zabezpieczenie materiałami izolującymi.

Ważne

Producent nie odpowiada za usterki, które powstały na skutek nieodpowiedniej eksploatacji urządzenia wbrew instrukcji obsługi.

Poniższe instrukcje przeznaczone są dla wykwalif kowanego pracownika autoryzowanego serwisu, aby przeprowadził instalację w poprawny sposób, zgodnie z obowiązującymi normami.

Jakakolwiek regulacja powinna być przeprowadzona przy urządzeniu odłączonym od sieci. Jeśli jednak zaistnieje konieczność regulacji w trakcie pracy urządzenia, należy zachować szczególną ostrożność.

INSTALACJA

Instalacja, naprawy i ustawienia urządzeń do kuchni profesjonalnych i demontaż mogą być przeprowadzane tylko na podstawie umowy o utrzymywaniu. Taka umowa może być podpisana ze sprzedawcą urządzenia. Muszą być zachowane wszystkie normy i przepisy dotyczące instalacji i bezpieczeństwa pracy.

Wentylacja pomieszczenia musi być odpowiednio zaprojektowana, wg. istniejących przepisów i norm. Urządzenie może być zainstalowane samodzielnie lub w serii z innymi naszymi urządzeniami. Od ewentualnej ściany z łatwopalnego materiału musi być dotrzymany odstęp ponad 10cm.

PODŁĄCZENIE PRZEWODU ELEKTRYCZNEGO DO SIECI

Przewód elektryczny powinien posiadać oddzielny bezpiecznik, odpowiadający mocy instalowanego pieca. Moc urządzenia należy skontrolować na tabliczce znamionowej umieszczonej na bocznej ścianie urządzenia.

Przewód uziemiający musi być dłuższy od pozostałych przewodów. Urządzenie należy podłączyć bezpośrednio do sieci. Między urządzeniem a siecią należy zamontować wyłącznik zabezpieczający zgodny z normami. Przewód uziemiający (żółto-zielony) nie może być podłączony do tego wyłącznika.

Przewód elektr. powinien być umieszczony tak, aby w żadnym punkcie nie osiągnął temp. o 50° wyższej od otoczenia. Przed podłączeniem do sieci należy sprawdzić czy:

- bezpiecznik wewn. oraz instalacja są odpowiednie do obciążenia urządz.(patrz tabl. znam.)
- instalacja posiada uziemienie zgodne z normami
- wył. zabezp. jest łatwo dostępny

Producent nie ponosi odpowiedzialności w przypadku nie zachowania odpowiednich norm lub naruszenia w / w zasad.

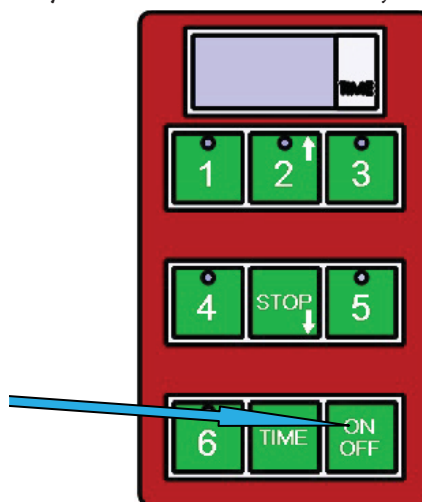
Przed użyciem, urządzenie należy wyczyścić (patrz rozdz. czyszczenie i konserwacja). Urządzenie musi być uziemione za pomocą śruby z oznaczeniem uziemienia.

INSTRUKCJA OBSŁUGI

Programator nie służy do ustawiania temperatury, ale tylko do odliczania czasu i jako alarm, kiedy proces podgrzewania zbliża się do końca.

1) Włączenie/wyłączenie

Korzystamy z tego przycisku

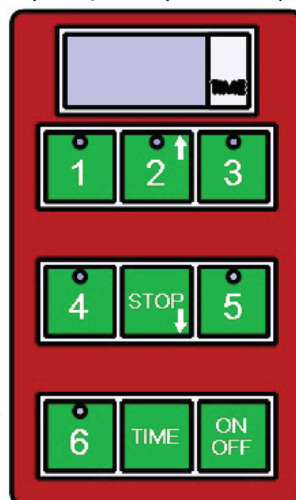


2) Włączanie na zaprogramowany czas

Programator ma 5 zaprogramowanych odcinków czasu. Te czasy włączamy naciskając przyciski 1-5, gdzie mamy:

Ustawienia fabryczne

NUMER PROGRAMU	CZAS
Program 1 (Przycisk 1)	1 min.
Program 2 (Przycisk 2)	1:30 min.
Program 3 (Przycisk 3)	2 min.
Program 4 (Przycisk 4)	2:30 min.
Program 5 (Przycisk 5)	3 min.
Program 6 (Przycisk 6)	Pogramowany przez użytkownika



Do programowania cyklu w opcji 6 (przycisk 6) trzeba przestrzegać następujących zasad

1. Sprawdzamy, czy wyświetlacz na panelu sterującym pokazuje 3 myślniki „---”
2. Naciskamy przycisk oznaczony „TIME”
3. Za pomocą przycisku ze strzałką do góry (przycisk 2) i przycisku ze strzałką w dół (przycisk STOP) zmieniamy czas pokazywany na wyświetlaczu (co 30 sekund).
4. Czas ustawiony w programatorze będzie migać.
5. Naciskamy i przytrzymujemy przycisk oznaczony „TIME”, aby wybrany czas został zapisany.
6. Naciskamy przycisk „6”, co rozpoczyna cykl grillowania.

Pod koniec zaprogramowanego czasu, programator ostrzeże nas sygnałem dźwiękowym.

Ten sygnał wyłączy się sam po jednej minucie albo może być wyłączony przez obsługę naciśnięciem przycisku STOP.

Kiedy programator ostrzega nas o zbliżającym się końcu procesu, na klawiaturze miga czerwony przycisk służący do przerywania aktualnego programu.


Aktualny program można przerwać naciśnięciem przycisku STOP.

CZYSZCZENIE I KONSERWACJA

Zaleca się kontrolę urządzenia przez profesjonalny serwis 2 razy w roku. Wszystkie interwencje w urządzeniu może przeprowadzać tylko przeszkolona osoba, która ma wymagane do tego uprawnienia.

Uwaga! Przed rozpoczęciem używania urządzenia należy ściągnąć z całej powierzchni folię ochronną oraz przemyć urządzenie wodą z płynem do naczyń, a następnie przetrzeć wilgotną szmatką.

- Czyszczenie przede wszystkim powierzchni, która jest w kontakcie z żywnością musimy przeprowadzać codziennie i bardzo dokładnie.
- Części nierdzewnych nie wolno czyścić pastami gruboziarnistymi lub środkami agresywnymi.
- Do czyszczenia nie używać papierów ściernych.
- W razie silnego zabrudzenia powierzchni dopuszczalne jest użycie gąbki z utwardzoną powierzchnią.
- Urządzenie czyścić wyłącznie zimne - w przeciwnym wypadku grozi to oparzeniem.
- W czasie dłuższej przerwy w eksploatacji urządzenia należy je zakonserwować olejem jadalnym i wyłączyć zasilanie elektryczne.
- Urządzenia nie należy czyścić wodą pod ciśnieniem (z węża).

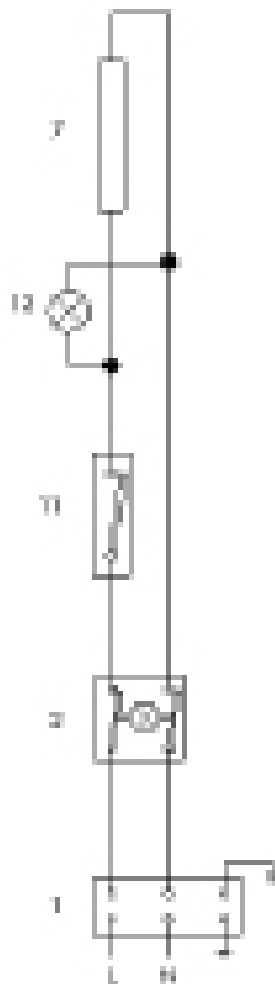
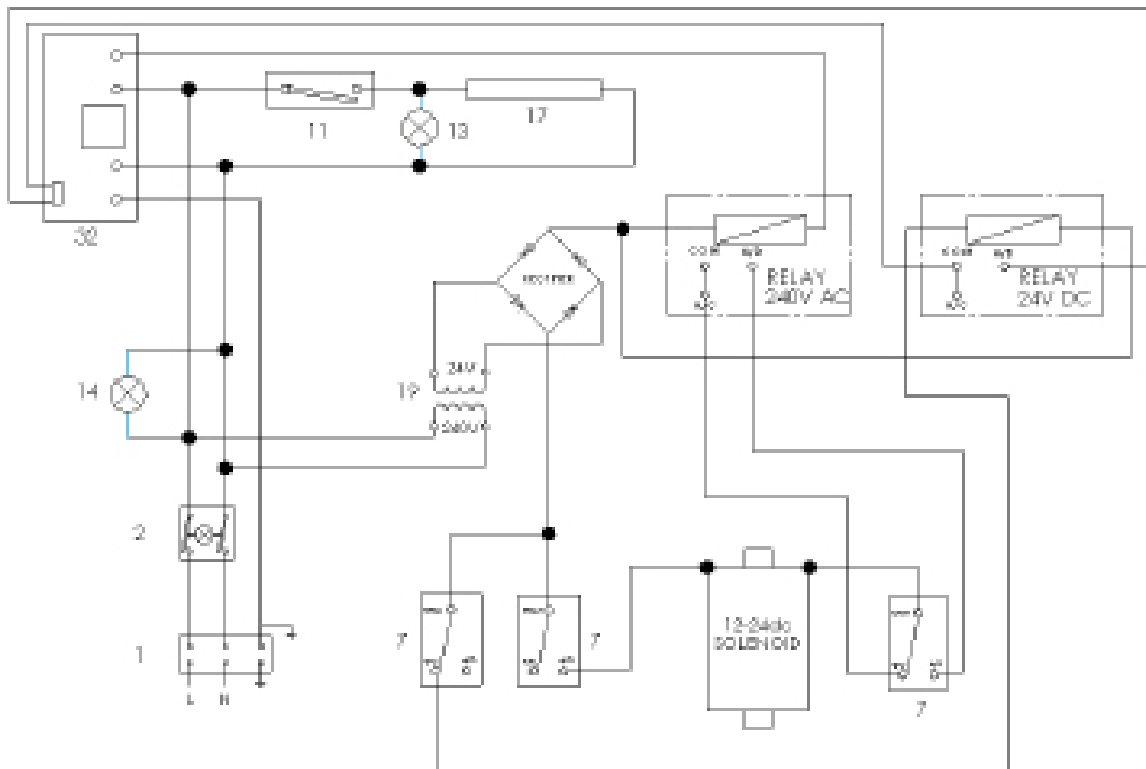
 **W razie awarii:**
Odłączyć zasilanie elektryczne. Wezwać autoryzowany serwis.

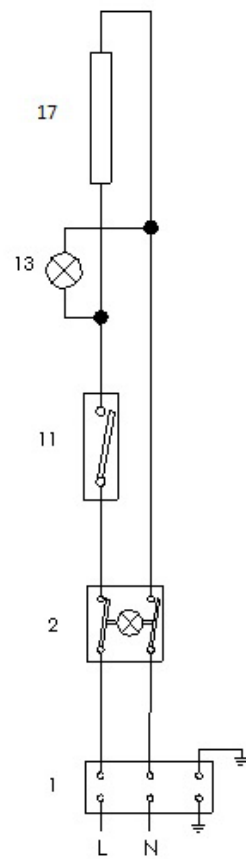
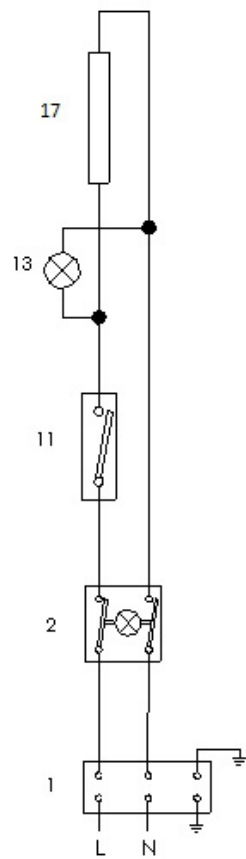
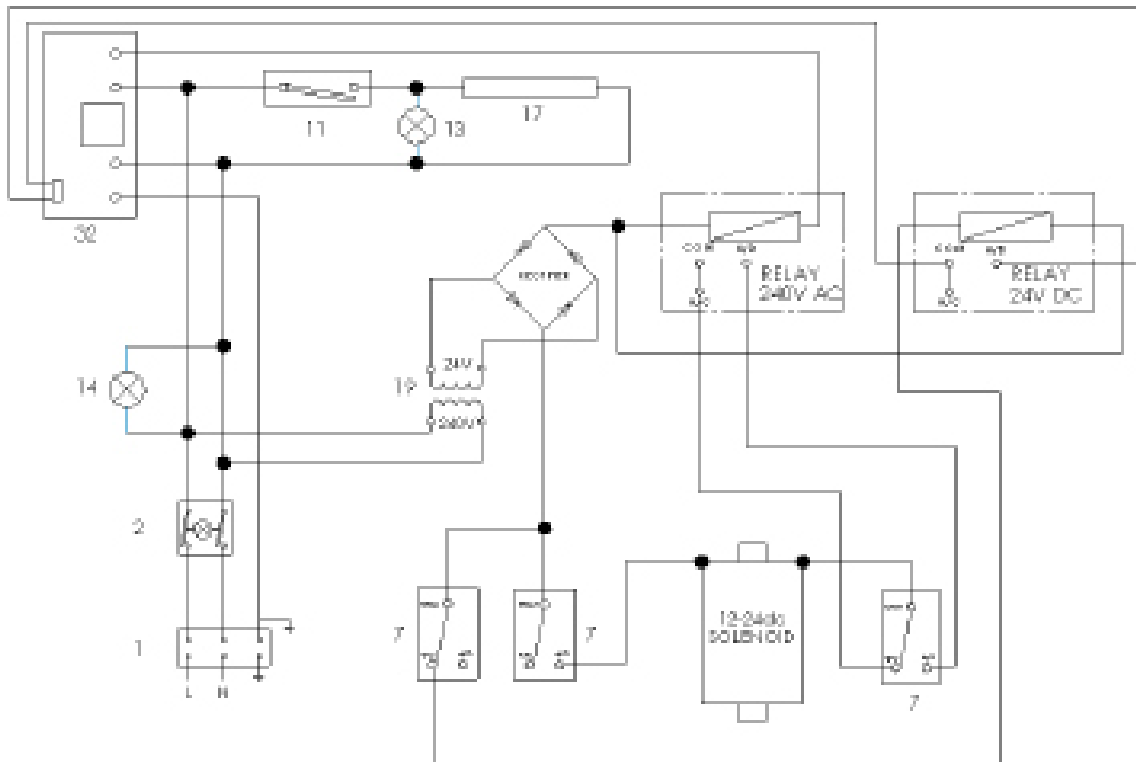
GWARANCJA

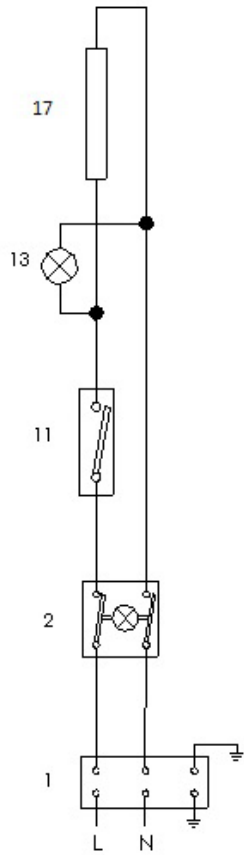
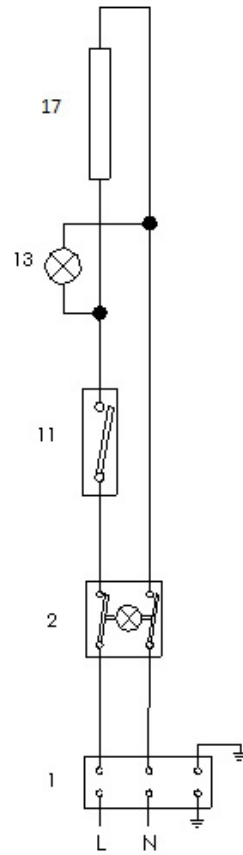
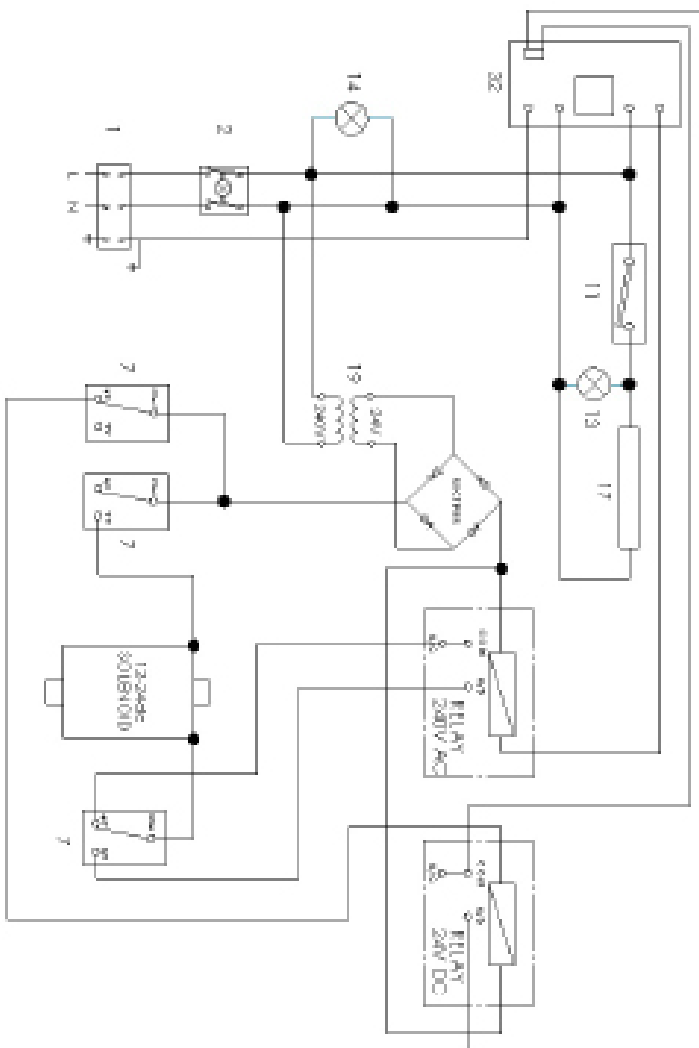
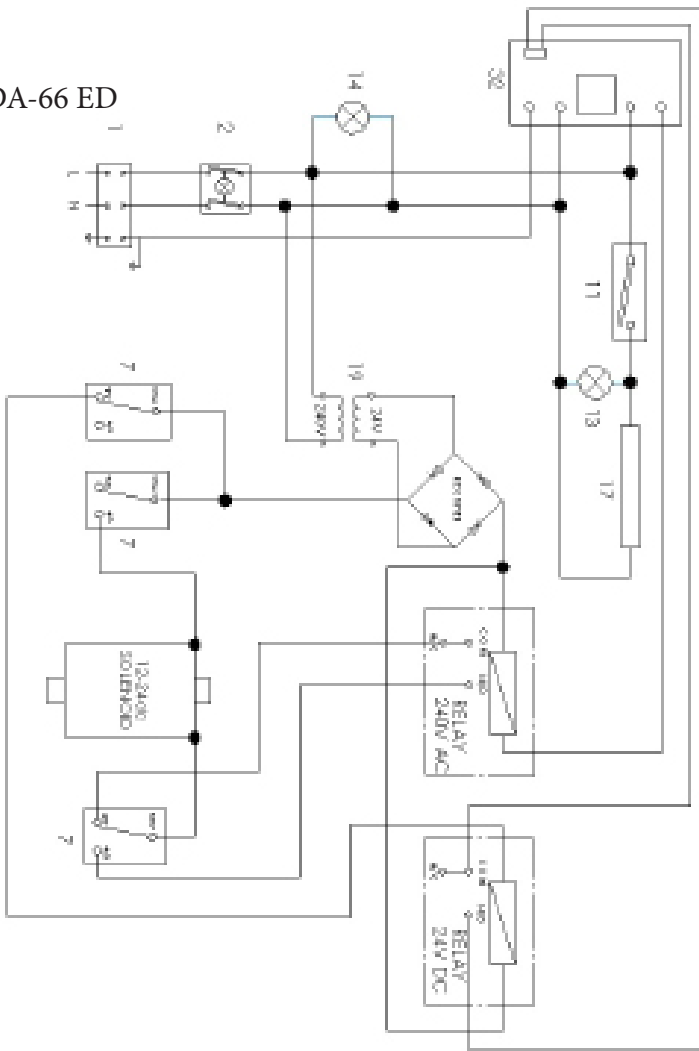
Gwarancja nie obejmuje żadnych części, które podlegają naturalnemu zużyciu (uszczelki, żarówki, części plastikowe i szklane itp.) Gwarancja nie obejmuje również urządzenia jeśli podłączone było nie zgodnie z instrukcją lub przez osoby nie posiadające odpowiednich uprawnień. Gwarancja nie obejmuje uszkodzeń spowodowanych warunkami atmosferycznymi lub przez osoby trzecie.

SCHÉMA ZAPOJENÍ SCHEMAT PODŁĄCZENIA

KDA-33 ED

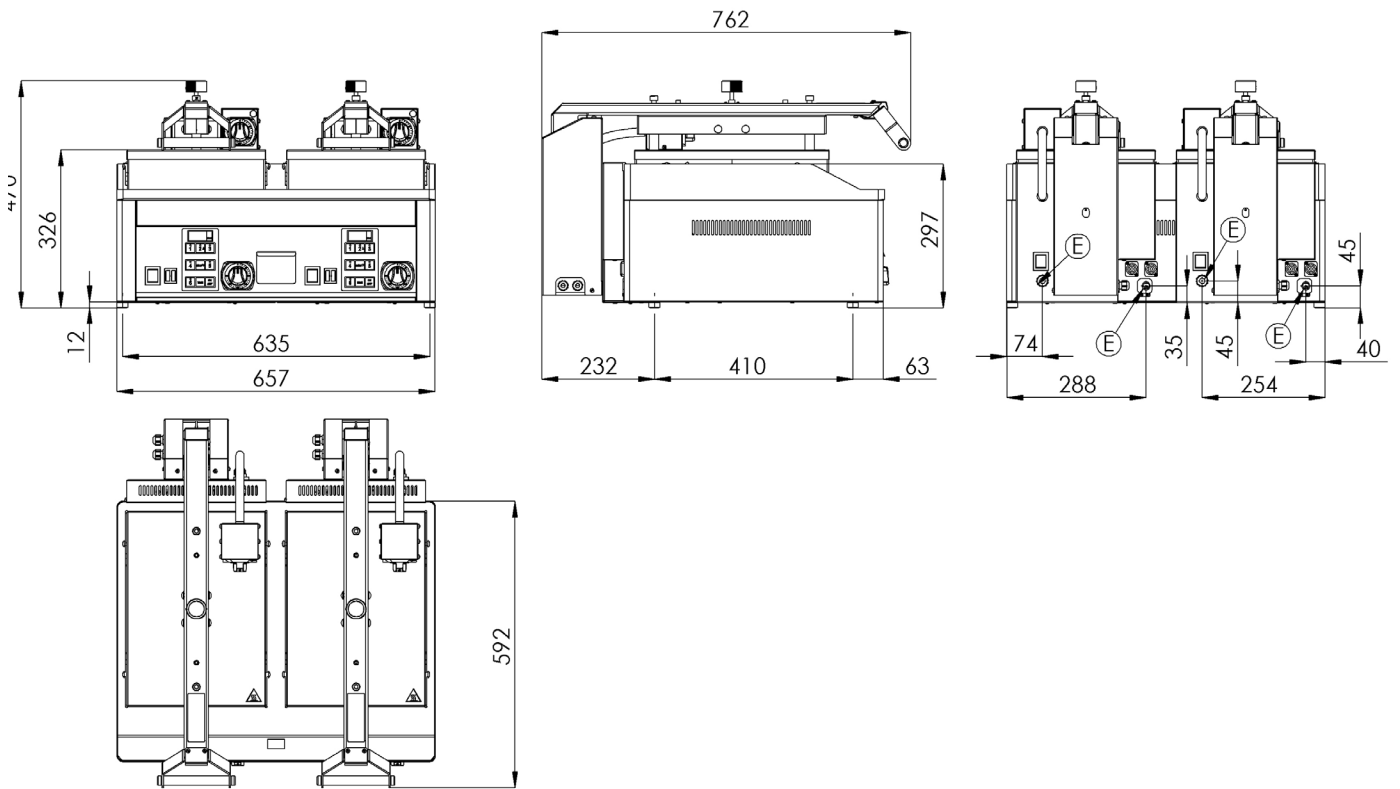




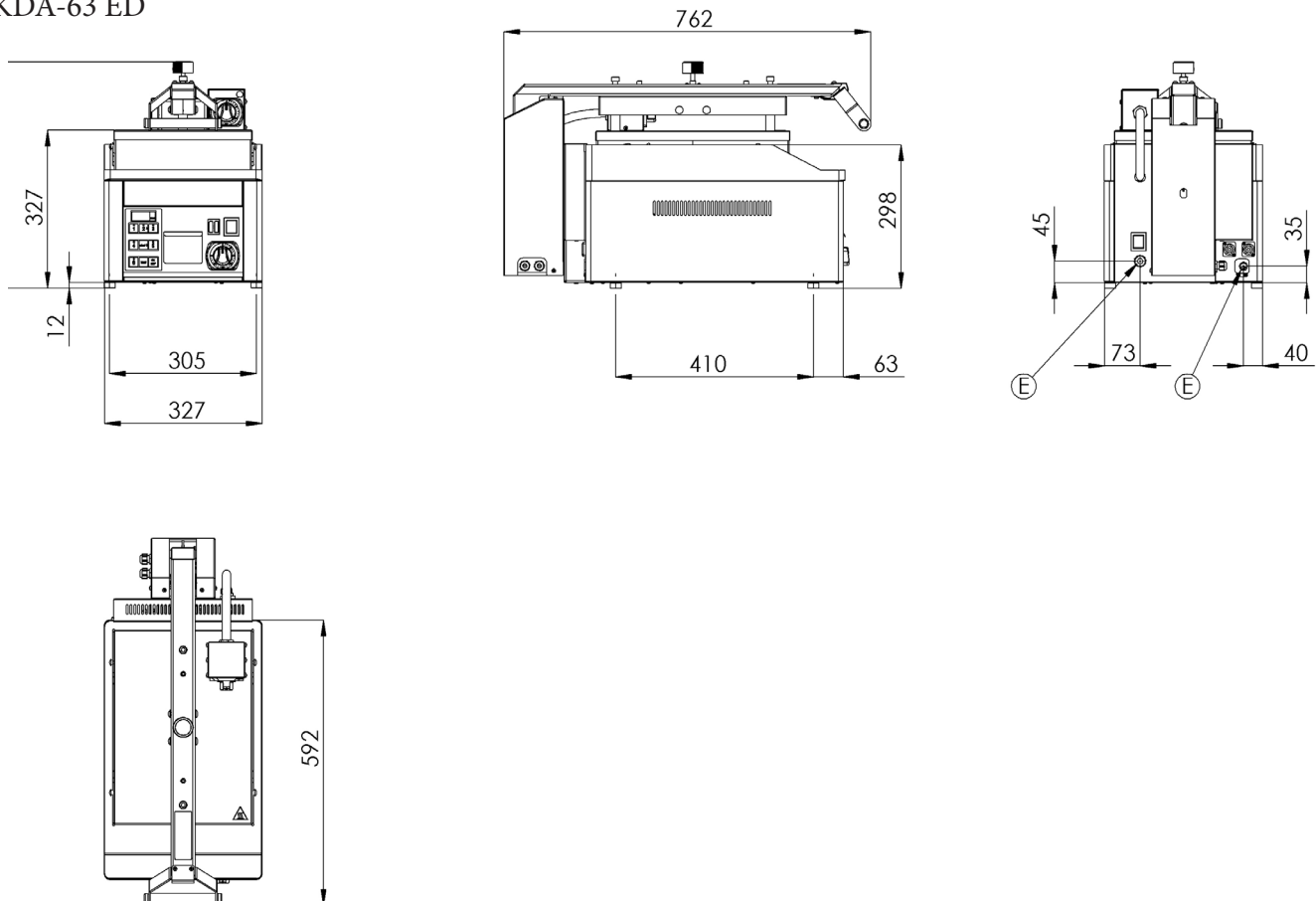


ROZMĚROVÝ OBRÁZEK: RYSUNEK WYMIAROWY:

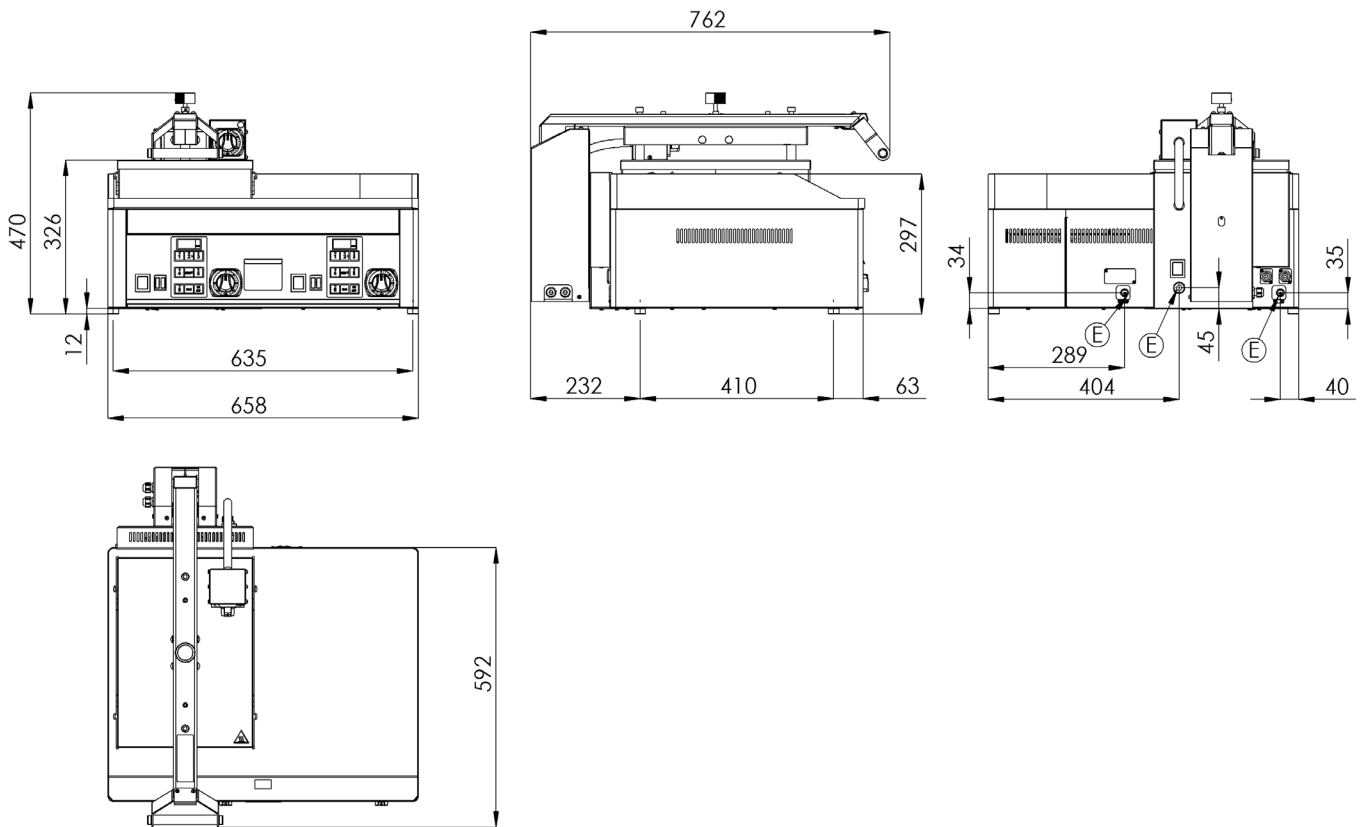
KDA-33 ED



KDA-63 ED



KDA-66 ED





- **Do not lift the contact plate** if the device is not connected to the electric mains and both main device switches are not simultaneously switched on.

- Die Kontaktplatte nicht heben, wenn die Anlage nicht zum Netz angeschlossen ist und gleichzeitig beide Hauptschalter nicht eingeschaltet sind.

- Ne pas soulever la plaque supérieure (extention) avant que l'appareil ne soit connecté au réseau d'électricité et que les deux interrupteurs principaux d'alimentation soient allumés.

- Не поднимайте контактную панель, если устройство подключено к электросети и наряду с этим не включены оба его главных выключателя.

- Nemojte dizati kontaktnu ploču ukoliko uređaj nije priključen na električnu mrežu, te također ako nisu uključena oba glavna prekidača uređaja.

- Non sollevare la piastra di contatto se l'impianto non è collegato alla rete elettrica, mentre entrambi gli interruttori principali dell'impianto non sono accessi.

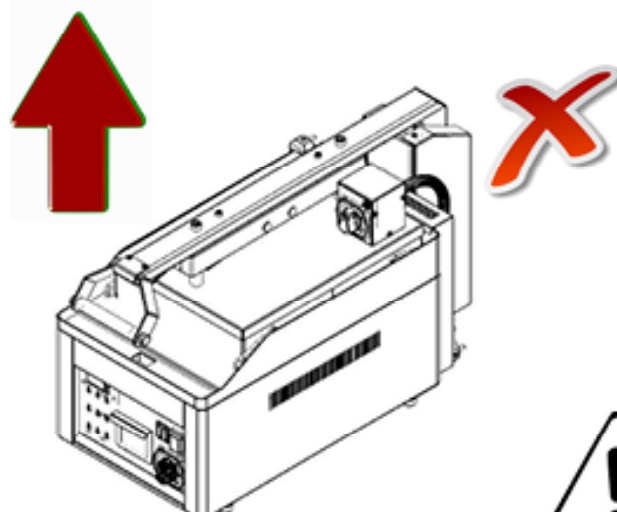
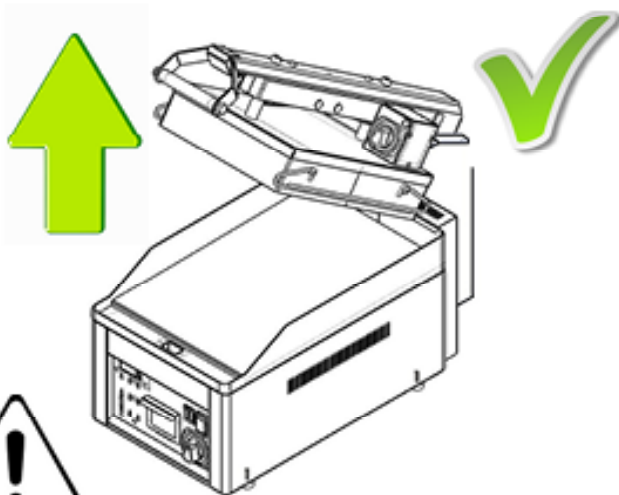
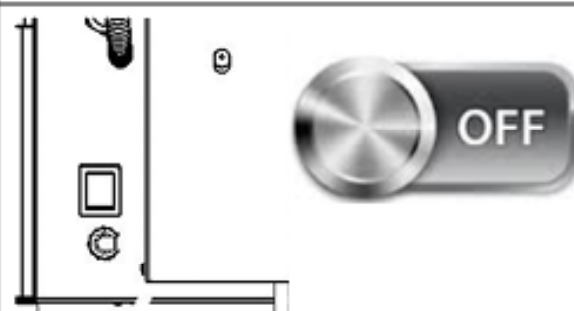
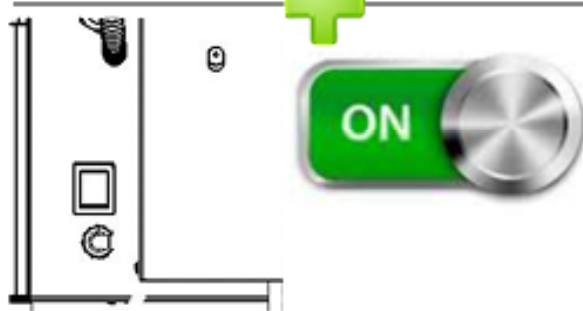
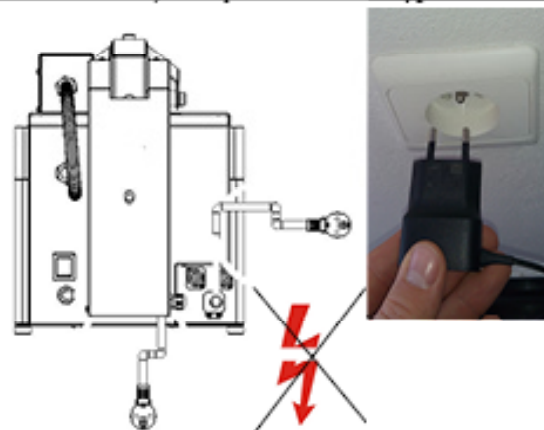
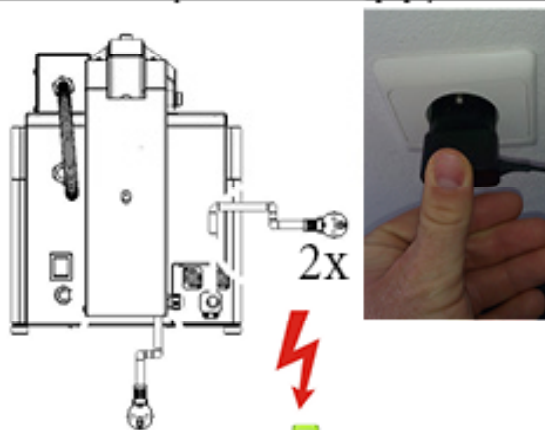
- Ne emelje fel a kontakt lemezt, míg a berendezés nincs a villamos hálózatra kötve és egyidejűleg nincs bekapcsolva a berendezés mindkét főkapcsolója.

- Płyty nie wolno podnosić, jeżeli urządzenie jest podłączone do instalacji elektrycznej i jednocześnie nie są włączone oba wyłączniki główne.

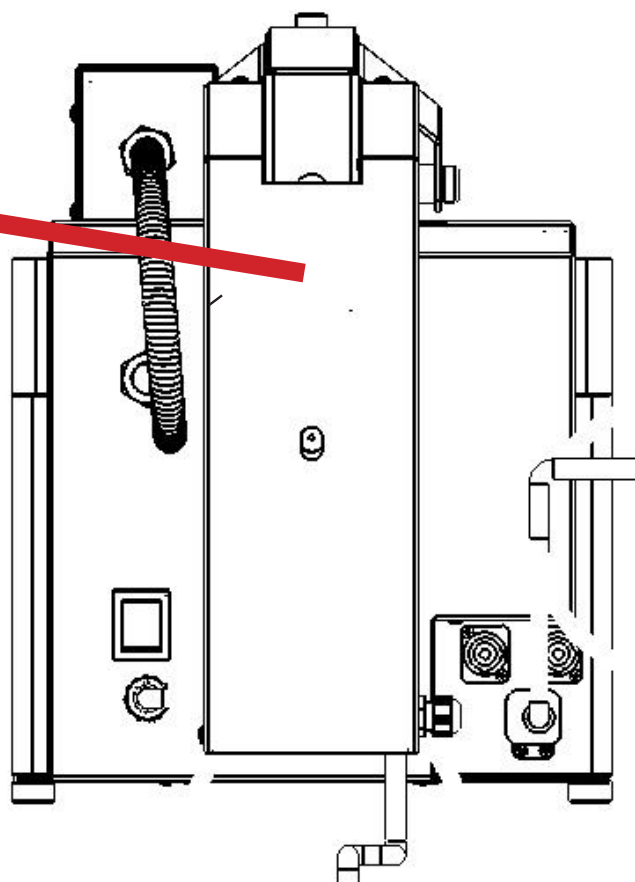
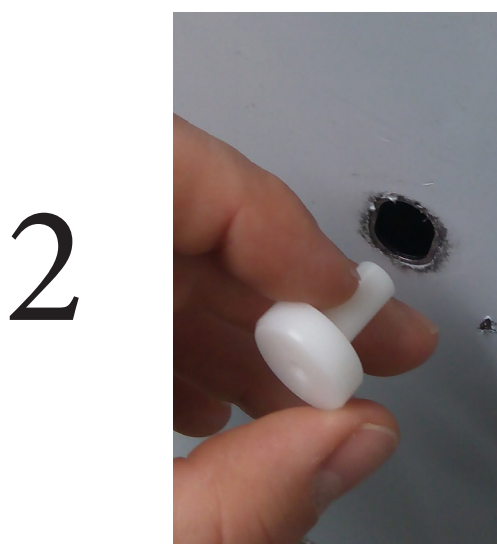
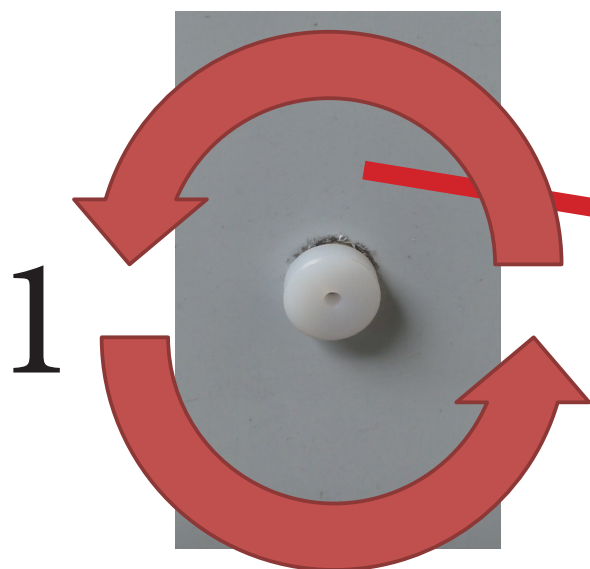
- A nu se ridică placa de contact atâta timp cât instalația nu este conectată la rețeaua electrică și dacă nu sunt concomitent activate ambele întrerupătoare ale instalației.

- Kontaktpladen må ikke løftes såfremt der ikke er anlagt tilsluttet elektrisk net og samtidig når begge anlægs hovedafbrydere er ikke aktiveret.

- Nezvedat kontaktní desku pokud není zařízení připojeno k elektrické síti a zároveň nejsou zapnuté oba hlavní vypínače zařízení.



Toto je pouze aretovací přepravní kolík. Před použitím ho prosím vyjměte dle tohoto návodu a následně již nepoužívejte.



ERKLÆRINGEN OM KOMPATIBILITET MED NORMER	3
TEKNISKE DATA	3
KONTROL AF PAKNINGEN OG ANLÆGGET	4
INSTALLATION	4
PLACERING	4
TILSLUTNINGEN AF ELEKTRISK KABEL TIL NETTET	5
SIKKERHEDSANVISNINGER FRA SYNSPUKTET AF BRANDVÆRNET	
IFØLGE EN 061008 ARTIKKEL 21	5
BRUGSVEJLEDNING	6
RENSNING OG VEDLIGEHOLDELSE	7
DIMENSIONELLE BILLEDE	8
TILSLUTNINGSSKEMAET	11

Producenten erklærer, at anlæggene er i kompatibilitet med forskrifter 2004/108/ES, 2006/95/ES lov nr. 616/2006sb., nr. 17/2003 sb. og tilhørende regeringens forordninger. Installationen skal udføres med hensyn til de gældende normer. Læg mærke til, at producenten fraskriver sig ethvert ansvar i tilfælde af både direkte og indirekte skader, der har forbindelse med en forkert installation, et ukorrekt indgreb eller ændringer, utilstrækkelig vedligeholdelse, ukorrekt brug og skader, der er forårsaget af andre årsager end de anførte punkter, som er anført i salgsbetingelser. Anlægget er beregnet udelukkende til fagbrug og skal betjenes af kvalificerede personer. Dele, der blev sikret af producenten eller en bemandet medarbejder efter installationen, må ikke ombygges af brugeren.

TEKNISKE DATA

Typpeladen med tekniske data befinder sig på det højeste del af anlægget. Læs grundigt det

TYPE	STRØMFORBRUG (kW)	SPÆNDING (V/Hz)	DIMENSIONER AF PLADEN (mm)	DIMENSIONER (mm)
KDA-33 ED	3+3	400 / 3N / 50-60	48x32+40x28	33x70,8x44,2
KDA-63 ED	6+3	400 / 3N / 50-60	48x65+40x28	66x70,8x44,2
KDA-66 ED	6+3+3	400 / 3N / 50-60	48x65+2x40x28	66x70,8x44,2

KONTROL AF PAKNINGEN OG ANLÆGGET

Anlægget forlader vores lager i en forsvarlig pakning, på hvilken befinder sig tilsvarende symboler og markeringer. I pakningen befinder sig en tilsvarende betjeningsvejledning. Hvis pakningen viser tegn på en dårlig behandling, skal den reklameres øjeblikkeligt hos transportøren og man skal skrive og underskrive en protokol om beskadigelsen.

Vigtig varsel:

-Produktet er bestemt alene til bruget i indre områder.

Brug aldrig apparatet hvis det har skaden på strømforsyningen eller på gaffel, hvis det ikke fungerer korrekt, har faldet til jorden og er skadet eller faldt i vandet. I sådanne tilfælde lever apparatet i serviceafdelingen med hensyn til sikkerhed og korrekt funktion.

-vejledningen skal læses grundigt og omhyggeligt, da den indeholder vigtige informationer om sikkerhedselementer, installation og brug

- disse anbefalinger har forbindelse med dette produkt

- produktet svarer til gældende normer

- vejledningen skal gemmes omhyggeligt til fremtidigt brug

- børn må ikke gøre brug af anlægget

- ved salg eller omplacering skal man sikre sig, at betjeningen eller den faglige service har stiftet bekendskab med betjenings- og installationsanvisninger i den vedlagte vejledning

- produktet skal betjenes udelukkende af en fagkyndig person

- det må ikke forlades uden opsyn

- det anbefales, kontrol 1 gang om året

- ved eventuel reparation eller udskiftning af dele skal der bruges originale reservedele

- produktet må ikke renses med vandstrøm eller med trykbruser

- ved fejl eller forkert drift af produktet er det nødvendigt at afkoble alle tilslutninger (vand, elektricitet, gas) og tilkalde autoriseret service

- producenten fraskriver sig et enhver ansvar ved fejl forårsaget af en forkert installation, samt forkert brug af produktet.

Tekniske instruktioner for installationen og reguleringen

Til brug UDELUKKENDE for specialiserede teknikere. Følgende instruktioner henvender sig til en tekniker, der er kvalificeret til installation, og som skal udføre alle operationer på den måde, der er mest korrekt og ifølge de gældende normer.

Vigtigt

Enhver aktivitet i forbindelse med reparationen må kun udføres når anlægget er koblet af nettet.

Hvis det er nødvendigt at reparere anlægget med spænding, skal man arbejde yderst omhyggeligt.

PLACERING

Til reguleringen af anlæggets brug er det helt nødvendigt, at køkkenets omgivelser, hvor anlægget skal installeres, er godt udluftet (med hensyn til dette: teknikeren skal følge de gældende normer). Hvis anlægget placeres, så det er i kontakt med møblernes vægge, skal disse modstå temperaturer op til 60°C. Installationen, afbalanceringen og opstarten skal udføres af en kvalificeret person, der er berettiget til disse aktiviteter, og ifølge de gældende normer for installation af anlægget.

Udpak anlægget og kontroller, at det er uskadt efter transporten. Placer anlægget på en vandret flade (maksimal ujævnhed inden for 2°). Placer anlægget under en emhætte, så vanddampen og lugten bliver elimineret.

Anlægget kan installeres selvstændigt eller i serien med anlæggene af vores produktion. Det er nødvendigt at overholde en minimum distance på 10 cm fra andre genstande, og man skal forebygge kontakt af anlægget med brandbare materialer. I dette tilfælde skal man sikre tilsvarende ændringer, så at der er sikret varmeisolleringen af de brandbare dele.

TILSLUTNINGEN AF ELEKTRISK KABEL TIL NETTET

Installationen af den elektriske tilførsel – Tilførslen skal sikres selvstændigt, med en tilsvarende afbryder af nominalstrømmen afhængig af strømforbrug af det installerede anlæg. Anlæggets strømforbrug kontrolleres på typepladen på den bagerste del af anlægget. Anlægget tilsluttes direkte til nettet. Det er nødvendigt at installere en kontakt mellem anlægget og nettet med en minimum distance på 3 mm mellem de enkelte kontakter, og som svarer til gældende normer og belastninger. Jordtilførsel (gulgrøn) må ikke afbrydes med denne kontakt.

I hvert fald skal tilførselskablet placeres sådan, at det på intet punkt opnår temperaturen som er 50 grader højere end omgivelsestemperatur. Før man tilslutter anlægget til nettet, skal man sikre sig, at:

- tilførselsafbryderen og den indre kreds kan tåle anlæggets belastning (se typeplade)
- fordelingen er forsynet med et effektivt jordstik ifølge normer og betingelser givet af loven
- stikkontakt eller kontakt i tilførslen er godt tilgængelige fra anlægget

Vi fralægger os ethvert ansvar i det tilfælde, at disse normer ikke bliver respekteret og i det tilfælde, at disse anvisninger ikke bliver overholdt.

Før opstart er det nødvendigt at fjerne den beskyttende folie og anlægget skal renses, se kapitlet „rensning og vedligeholdelse“.

SIKKERHEDSANVISNINGER FRA SYNSPUKTET AF BRANDVÆRNET IFØLGE EN 061008 ARTIKKEL 21

- betjeningen af anlægget må udelukkende udføres af voksne personer
 - anlægget må bruges sikkert i almindelige omgivelser ifølge ČSN 332000-1.
 - anlægget skal placeres sådan, at det står eller hænger på et ikke brandbart underlag.
- På anlægget og i distancen mindre end sikkerdistancen må ikke placeres genstande af brandbare materialer (den mindste distance af anlægget til brandbare materialer er 10 cm).
- for sikre distancer fra materialer af de enkelte brandbarhedsgrader og informationer om brandbarhedsgrad af de vanlige byggematerialer - se tavlen

Tavlen:

brandbarhedsgrad af byggemateriale placeres i brandgrader (ČSN 730823) af materialer og produkter

A ikke brandbart granit, sandsten, beton, mursten, keramiske fliser, puds

B dårligt brandbart "akumin", "heraklit", "lihnos", "itaver"

C1 meget brandbart løvetræ, krydsfinér, "sirkoklit", hærdet papir, "umakart"

C2 middelbrandbart spånplade plader, "solodur", korkplader, gummi, gulvmaterialer

C3 letbrandbart træfiberplader, polystyren, polyurethan, PVC

Anlæggene skal installeres på en sikker måde. Under installationen må overholdes tilsvarende projekt-, sikkerheds- og hygiejniske forskrifter ifølge:

- EN 06 1008 brandsikkerhed af de lokale anlæg og varmekilder
- EN 33 2000 omgivelser for elektriske anlæg

BRUGSANVISNING

Pak ud enheden og kontroller for transportskader. Fastgør enheden til stekpladen i henhold til billedet enten ved hjælp af standoffs eller standoffs og skruer. Efter dette, t fjedrene på den klassiske plade for at de kan holde det i hævet position og samtidig ikke løfte det spontant, når enheden sænkes.

Det er nødvendigt at observere minimumsafstanden på 10 cm fra resten af emnerne og forhindre kontakt af enhed med brændbare materialer. I dette tilfælde er det nødvendigt at foretage passende modifikationer for at sikre termisk isolering af de brændbare dele.

Opmærksomhed!

Inden første brug af apparatet vaskes enheden med vand, der indeholder rengøringsmiddel og tørre med rengøringen klæde. Forlad aldrig enheden uden tilsyn!

Skuffe til superfedt

Du skal kontrollere skuffen regelmæssigt og tømme den i tide. Du skal rense skuffen efter hver gang du skifter enheden slukket.

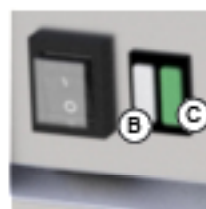
Tænd ved hovedafbryderen (D), lampen til pilotlampen (C) indikerer, at apparatet er tændt. Drej knappen (A) og juster den ønskede ydelse. Pilotlamper (B) a (C) lyser. Pilotlampen (C) lyser, når enheden er tilsluttet el. Pilotlampen (B) lyser, når varmeledningen er tændt. Pilotlampen (B) slukker, når enheden når indstillet temperatur. Tænd (E) -timeren ved at trykke på tænd / sluk-knappen. Vælg derefter et af de fem forudindstillede programmer og luk clam grillen, som låser i den laveste position. En alarm lyder, når den forudindstillede tid forløber, og clam grillen åbnes automatisk. Alarmen kan slås fra ved at trykke på STOP-knappen. Programmer i gang kan afbrydes for tidligt ved at flytte clam grillhåndtaget opad. Clam grillen åbnes og programmet afbrydes. Når clam grillen er lukket igen, starter det afbrudte program fra begyndelsen. Hold apparatet under tilsyn, når du bruger det. Sluk for apparatet ved at dreje knappen (A) i position „0” og sluk for hovedafbryderen (D).

Vedligeholdelse

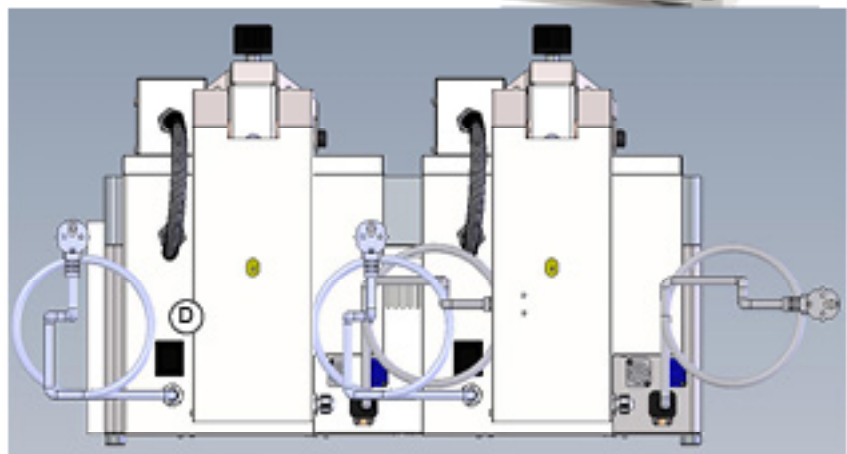
Vi anbefaler, at enheden kontrolleres en gang om året af den professionelle service. Kun kvalificeret eller kompetent personer kan gøre indgreb i produktet.

Kommentarer og anbefaling

Brug kun enheden under tilsyn.



- A - Kontrolknop
- B - Opvarmning af idicator
- C - Tænd indikator
- D - Hovedafbryder
- E - Digital timer
- F - Højdejustering af toppladen



1) tænd / sluk

Brug denne knap



2) For at starte en forudindstillet tilberedningscyklus
Timeren har fem forudindstillede cykeltider.
Start disse cyklusser ved at trykke på knappen
1-5, hvor knappen:

Fabrikantens indstillinger

PROGRAMNUMMER TID

Program 1 (knap 1) 1:00

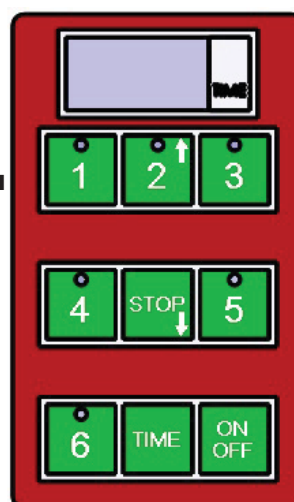
Program 2 (knap 2) 1:30

Program 3 (knap 3) 2:00

Program 4 (knap 4) 2:30

Program 5 (Knappen 5) 3:00

Program 6 (Button 6) brugerprogrammerbar



Følgende instruktioner skal følges til programmering af en cyklus i option 6 (knap 6):

1. Kontrollér, at displayet på kontrolpanelet viser tre bindestreger „---“
2. Tryk på knappen mærket „TIME“
3. Brug pil op-knappen (knap 2) og pil ned-knappen (STOP-knappen) for at ændre den viste tid på displayet (med 30 sekunders intervaller)
4. Den valgte tid blinker på timeren.
5. Tryk og hold knappen tændt med „TIME“ for at gemme den valgte tid.
6. Tryk på knappen „6“ for at starte grillningen.

Hvis du bruger programmerbar mulighed 6 til at gentage en brugerdefineret cyklus, skal du fortsætte i henhold til trin 5 og 6

Timeren meddeler dig, at den forudindstillede tid er gået ved at udløse et advarselssignal. Dette signal slukker automatisk efter et minut, eller operatøren kan slukke manuelt ved at trykke på STOP-knappen.

Den røde knap for at afbryde det forudindstillede program blinker på tastaturet, da timeren lyder advarselssignalet i slutningen af cyklussen.

Du kan afbryde et igangværende program ved at trykke på STOP-knappen.

RENSNING OG VEDLIGEHOLDELSE

NB! Anlægget må ikke renses med direkte- eller trykvand.

Anlægget renses dagligt. Daglig rensning forlænger levetiden og effekten af anlægget. Før man starter rensning, forsikre dig om, at anlægget er afkoblet fra elektrisk strøm. Afbryd altid på hovedtilførsel til anlægget. Rustfrie dele renses med en fugtig klud med opvaskemiddel uden grove partikler, bagefter tørres, specielt omkring reguleringsknappen, hovedkontakten, kabelgennemførsel, tilførselskabel, mikrokoblere og siddelister. Brug ikke abrasive eller korrosive rensmidler.

Rensning af varmeelementer – træk boksen med varmeelementer ud. Varmeelementer renses kun med en fugtig klud.

Hvordan tappes olien ud? – tag beholderen ud ved hjælp af hanker, der er placeret på sider. Denne aktivitet udføres udelukkende, når olien er kold. Beholderen kan vaskes i en opvaskemaskine. Efter vaskning tørres den, og den nye eller filtrerede olie påfyldes.

Ved typen FE – 10T/1010T er fremgangsmåden sådan: Brugeren skal først skaffe sig en passende beholder til taping af olien fra karet. Beholderen skal være af materiale, der modstår varme, og den skal placeres sådan, at olien ikke sprøjter og dermed skaber fare. Påsæt tapperør, fjern sikringen mod den ufrivillige åbning i retningen opad, og skyd håndtaget til positionen markeret med den åbne hane. Karet tappes ud, kun når olien er kold.

HVORDAN ER FREMGANGSMÅDEN I TILFÆLDE AF FEJL

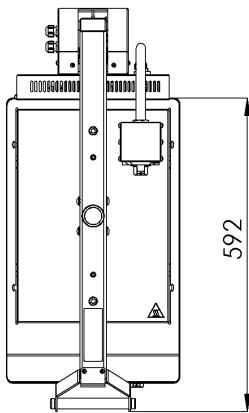
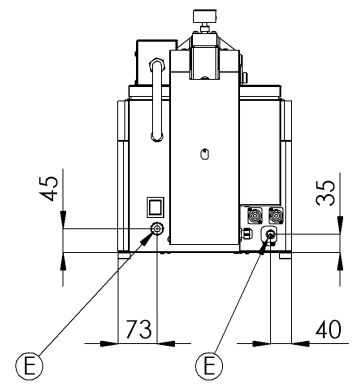
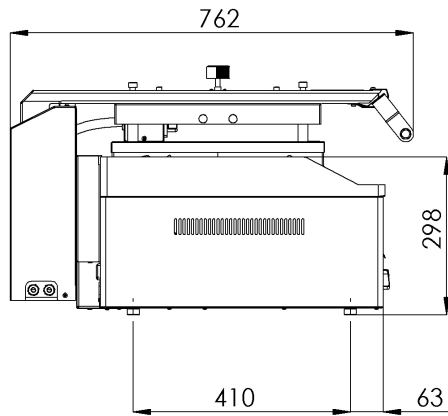
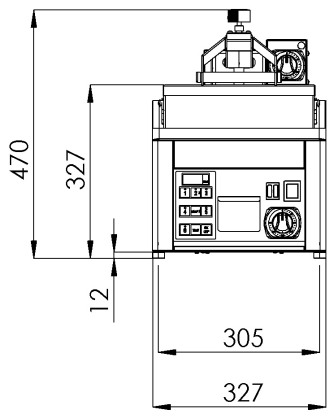
Sluk for den elektriske tilførsel og ring til sælgerens serviceorganisation.

PAS PÅ!

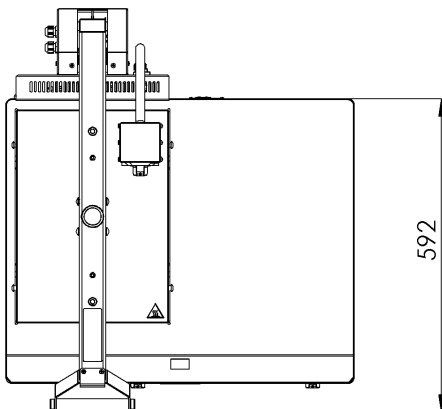
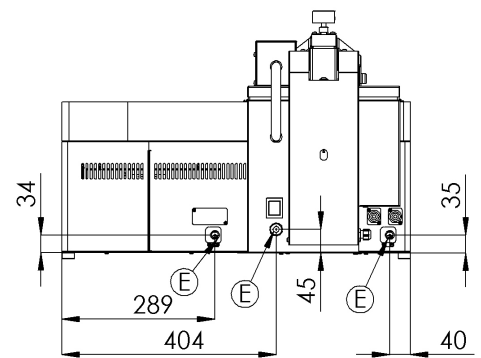
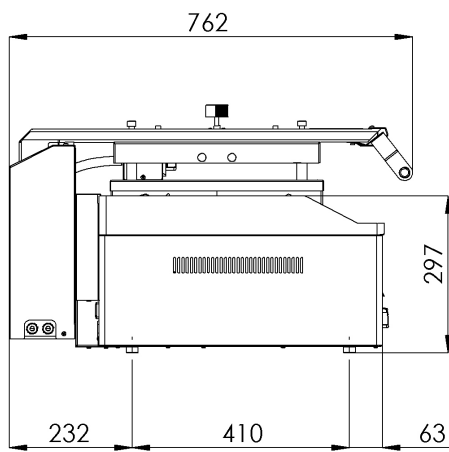
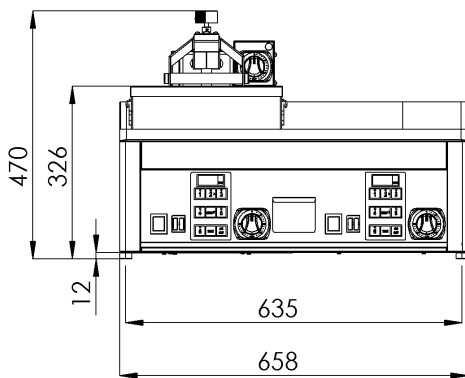
Garantien omfatter ikke alle gummitætninger, elektriske pærer, glas-og plasticdele. Garantien omfatter heller ikke alle brugsdele, der er almindelig slidtage. Garantien omfatter ikke anlæg, hvis installation af anlægget ikke er udført ifølge vejledningen af en berettiget person og ifølge de tilsvarende normer, og hvis der blev manipuleret ufaglignende med anlægget (indgreb i anlæggets indre). Garantien omfatter heller ikke skader, der er forårsaget af naturfænomener.

DIMENSIONELLE BILLEDE

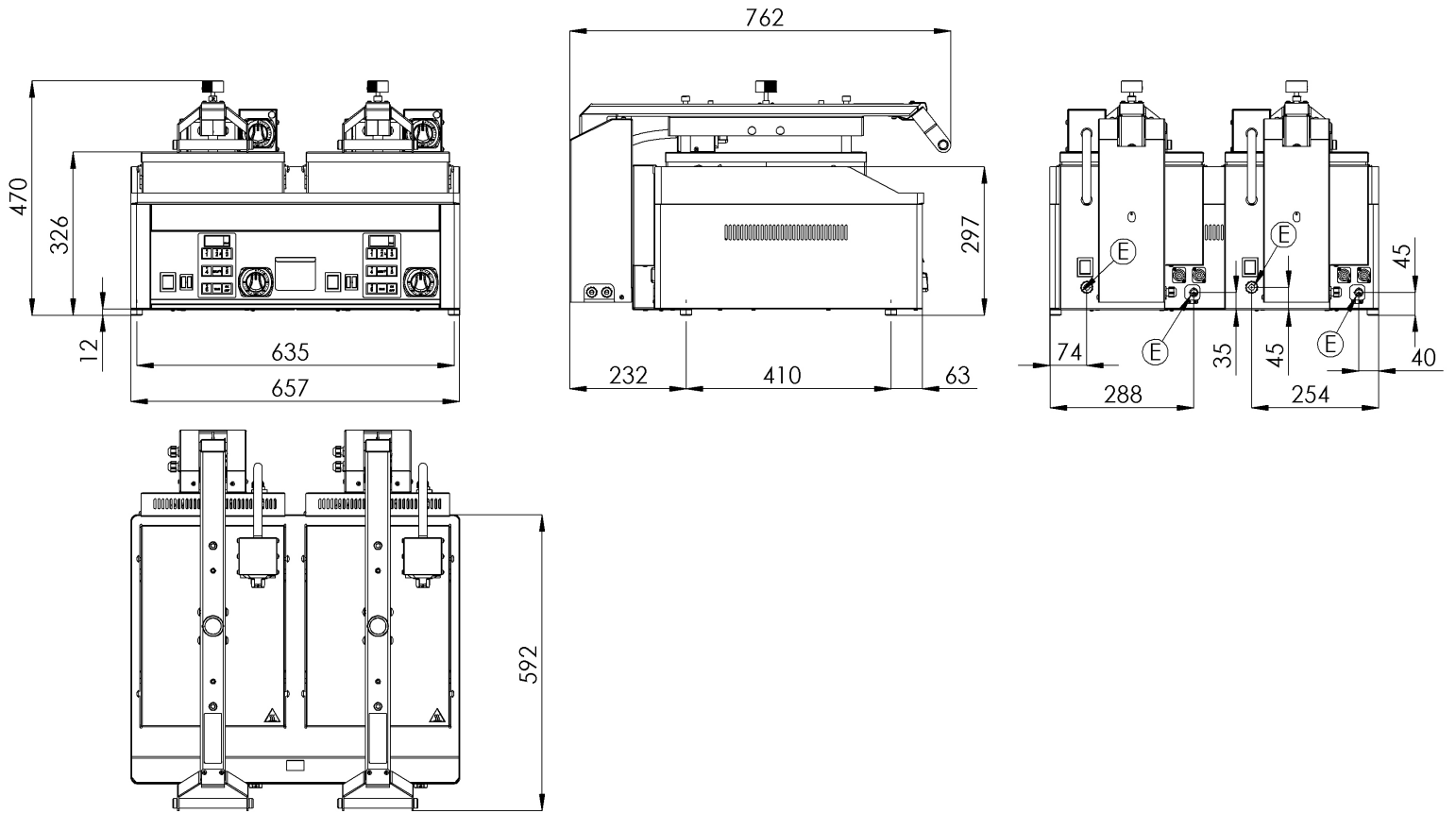
KDA 33 ED



KDA 63 ED

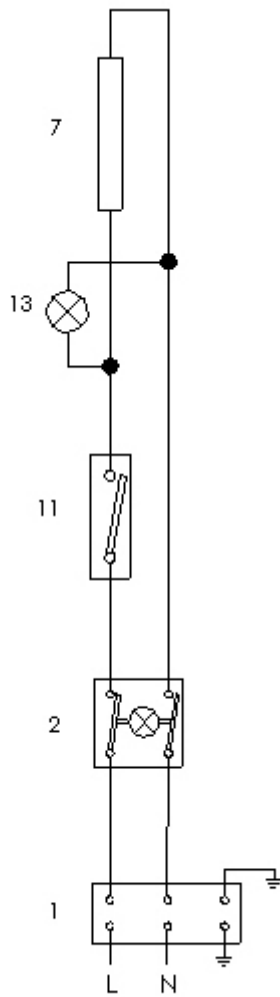
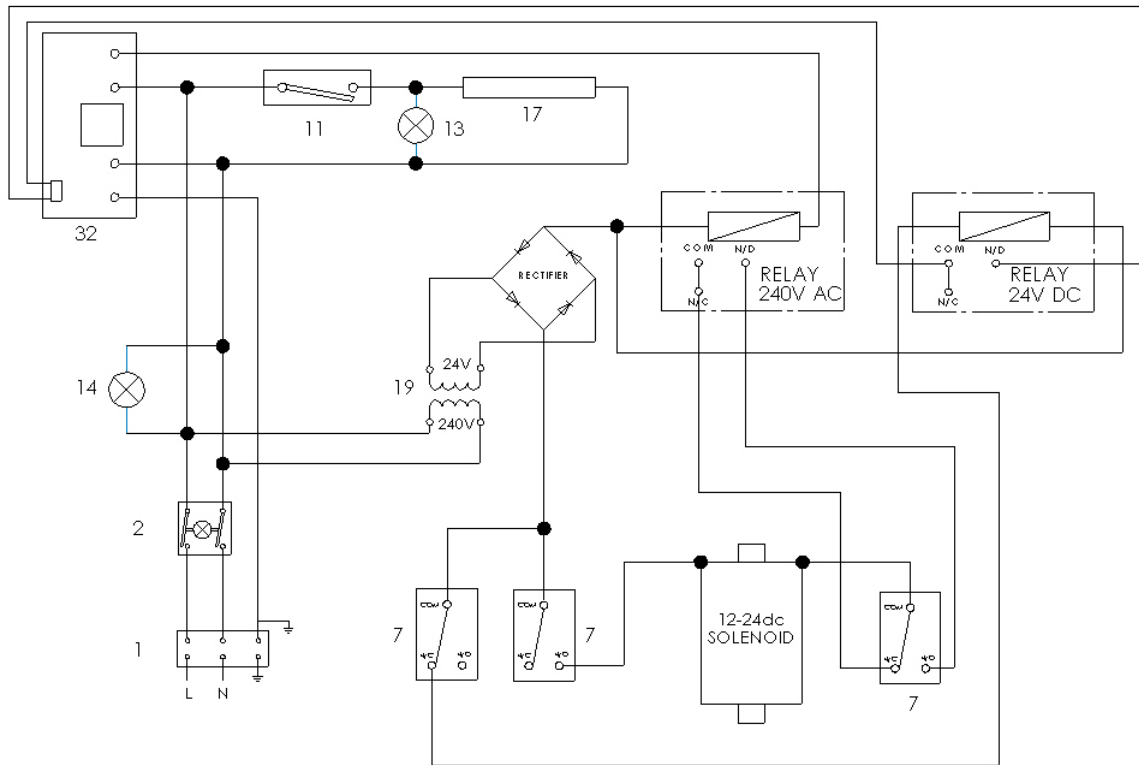


KDA 66 ED

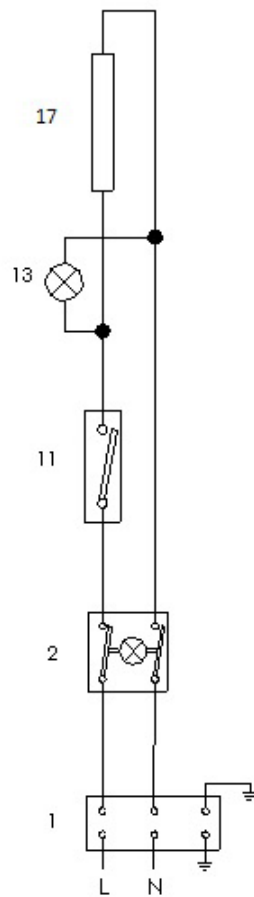
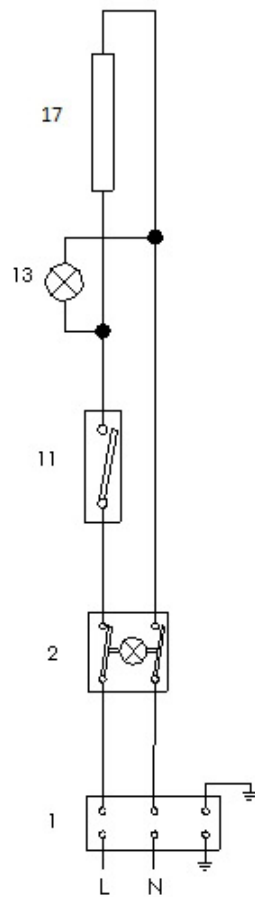
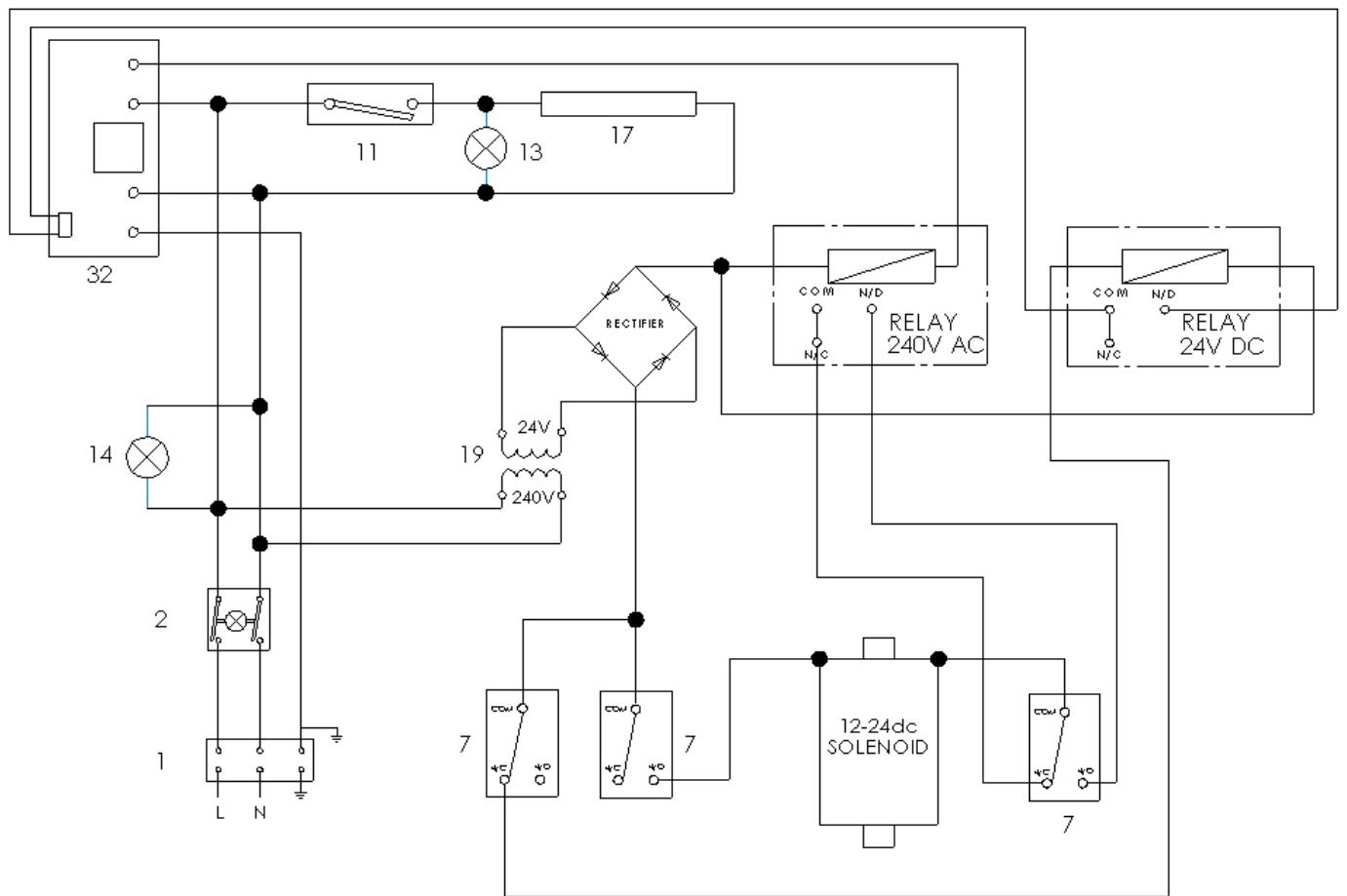


TILSLUTNINGSSKEMAET

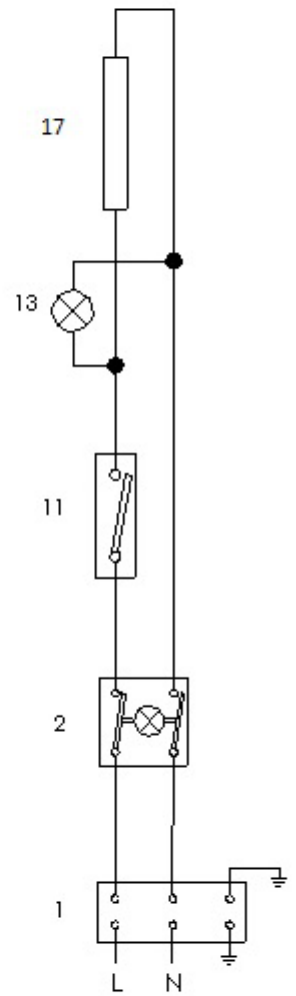
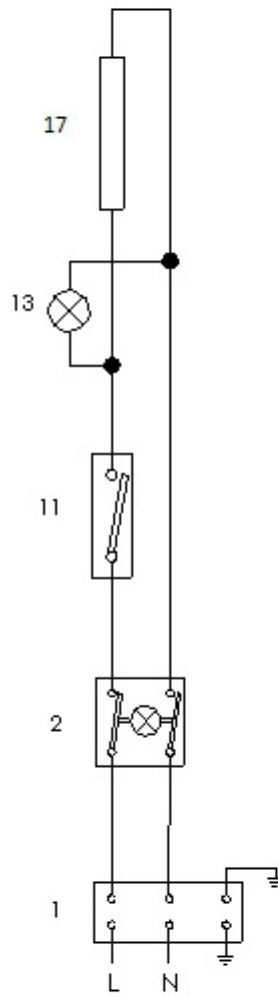
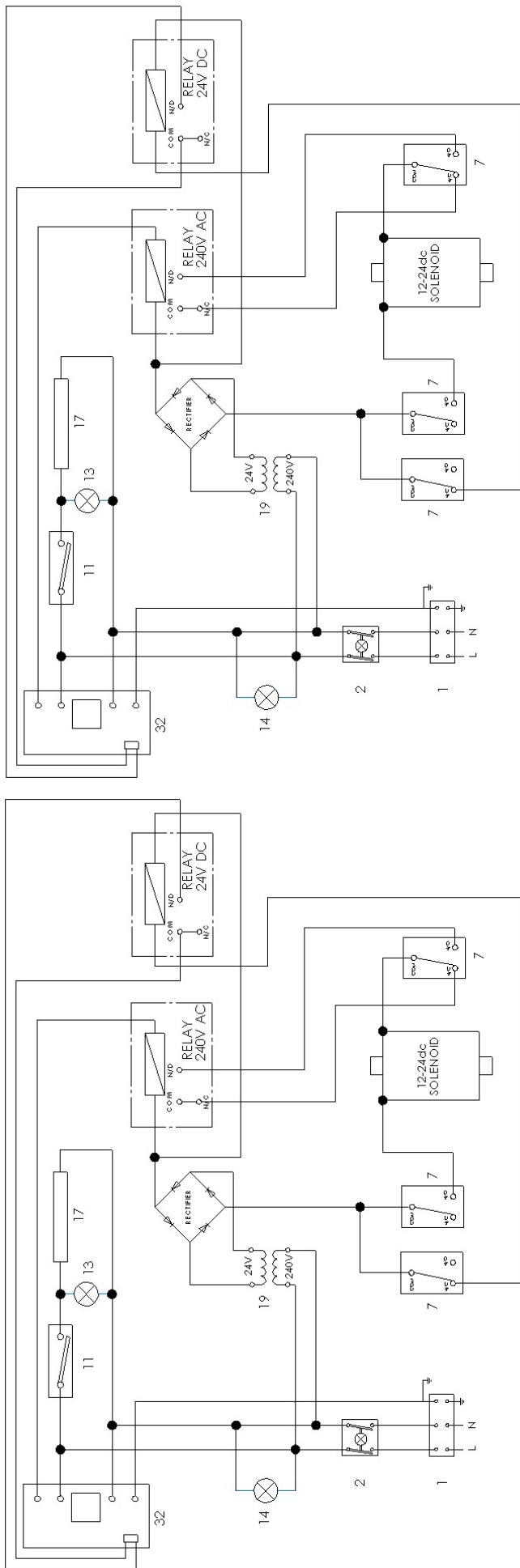
KDA 33 ED



KDA 63 ED



KDA 66 ED



List of service organizations:

CZ: RM GASTRO CZ s. r. o., Náchodská 818/16, Praha 9

Tel. +420 281 926 604, info@rmgastro.cz, www.rmgastro.cz

SK: RM Gastro Slovakia, Rybárska 1, Nové Město nad Váhom

Tel.: +421 32 7717061, obchod@rmgastro.sk, www.rmgastro.sk

PL: RM GASTRO Polska Sp. z o. o., ul. Skoczowska 94, 43-450 Ustroń

Tel.: +33 854 73 26, www.rmgastro.pl